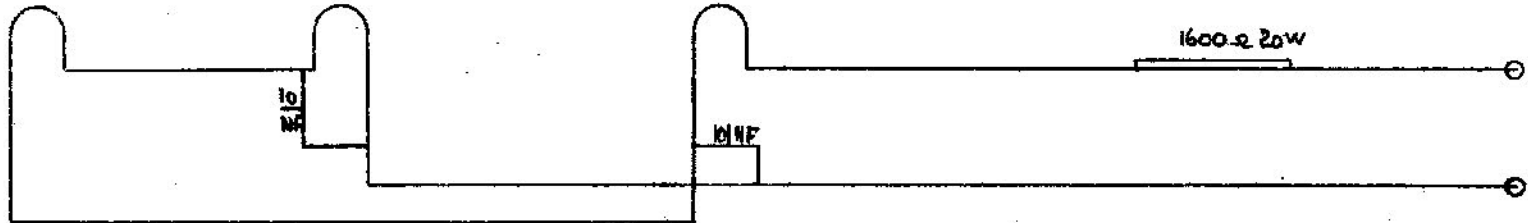


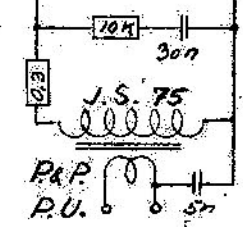
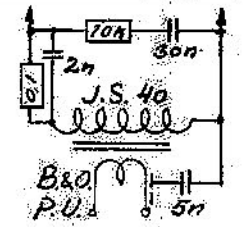
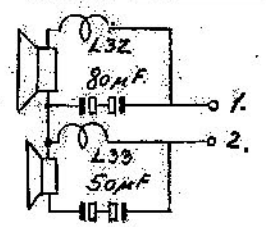
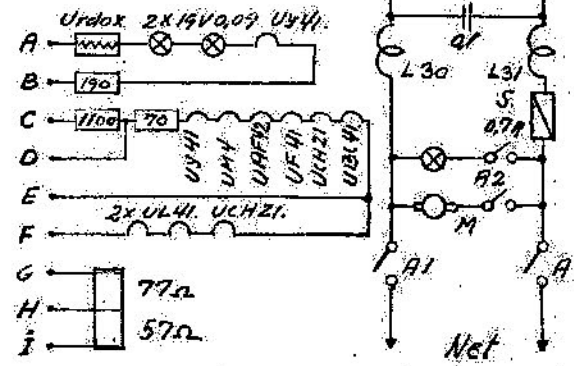
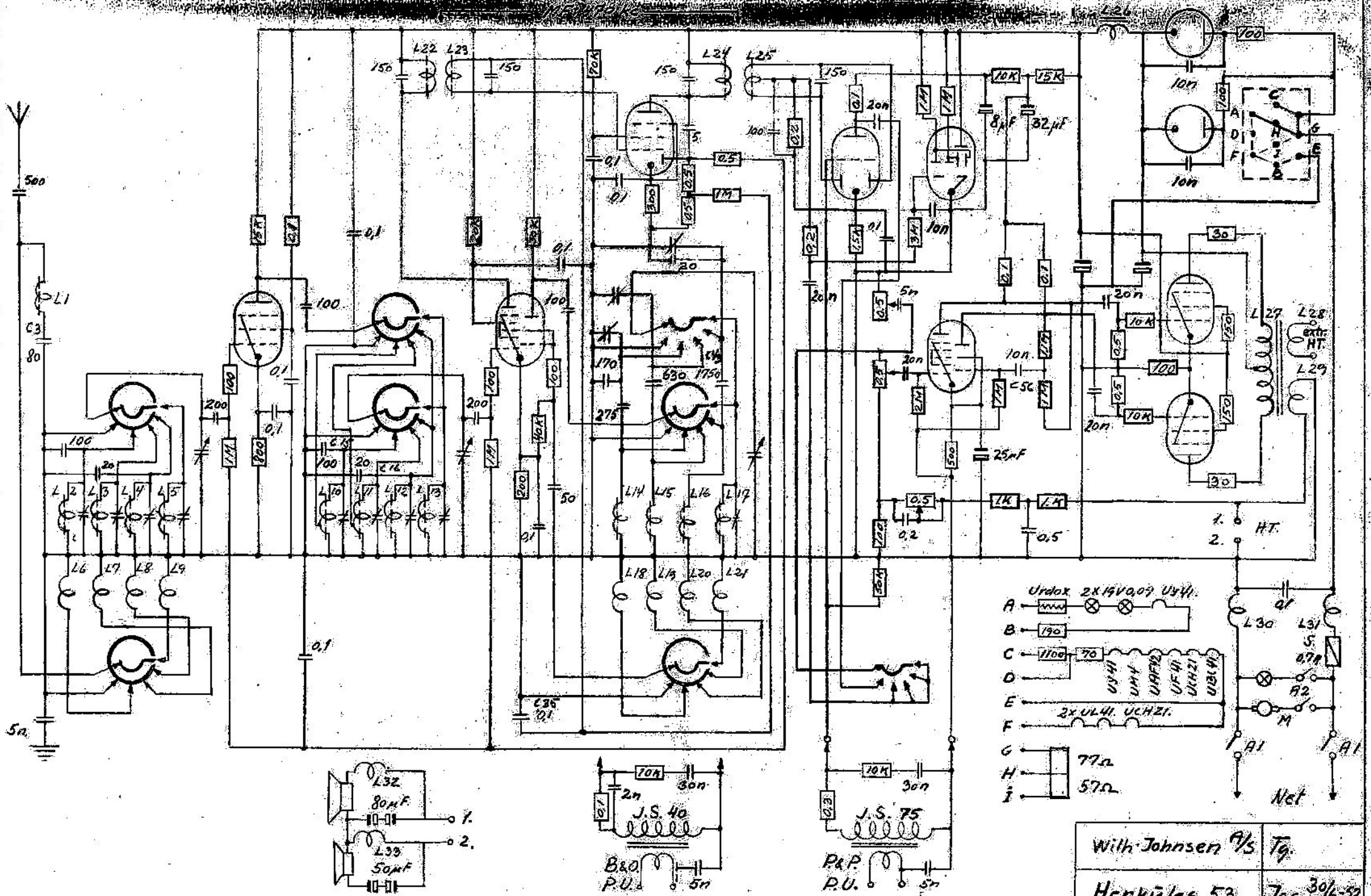
UF42

UCH42

UF42



With Johnson's.
 F.M. Del. Herkules 53.
 2-10-52 K.L.



With Johnson's 9/5 Tg.
 Herkules 53. Jac 30/6-52