

Component List

Blad

Controlbox - CB-7250

<u>Ckt.symbol</u>	<u>Description</u>	<u>Value or type</u>
LS1	Speaker	
M1	Microfon	
I1	Indikator lamp	MV5o2o
I2	do.	MV5o2o
I3	do.	MV5o2 ⁶
I4	do.	MV5o2 ⁶
R1	Potentiometer	22K, log.
R2	Resistor	2,2K 1/8 W
R3	do.	68o ohm
S1-6	Switch	
S7	Line-switch	MSP 2o5N+, lamp unit m/resistor and 22o V neon lamp
	Power supply	PS-7251
	Control unit	CU-7252
	Tonetransmitter	ST-7253
	Tonereceiver	SR-7254
	LF-outputamp.	AF-7233

2 ROP
/ 13LA

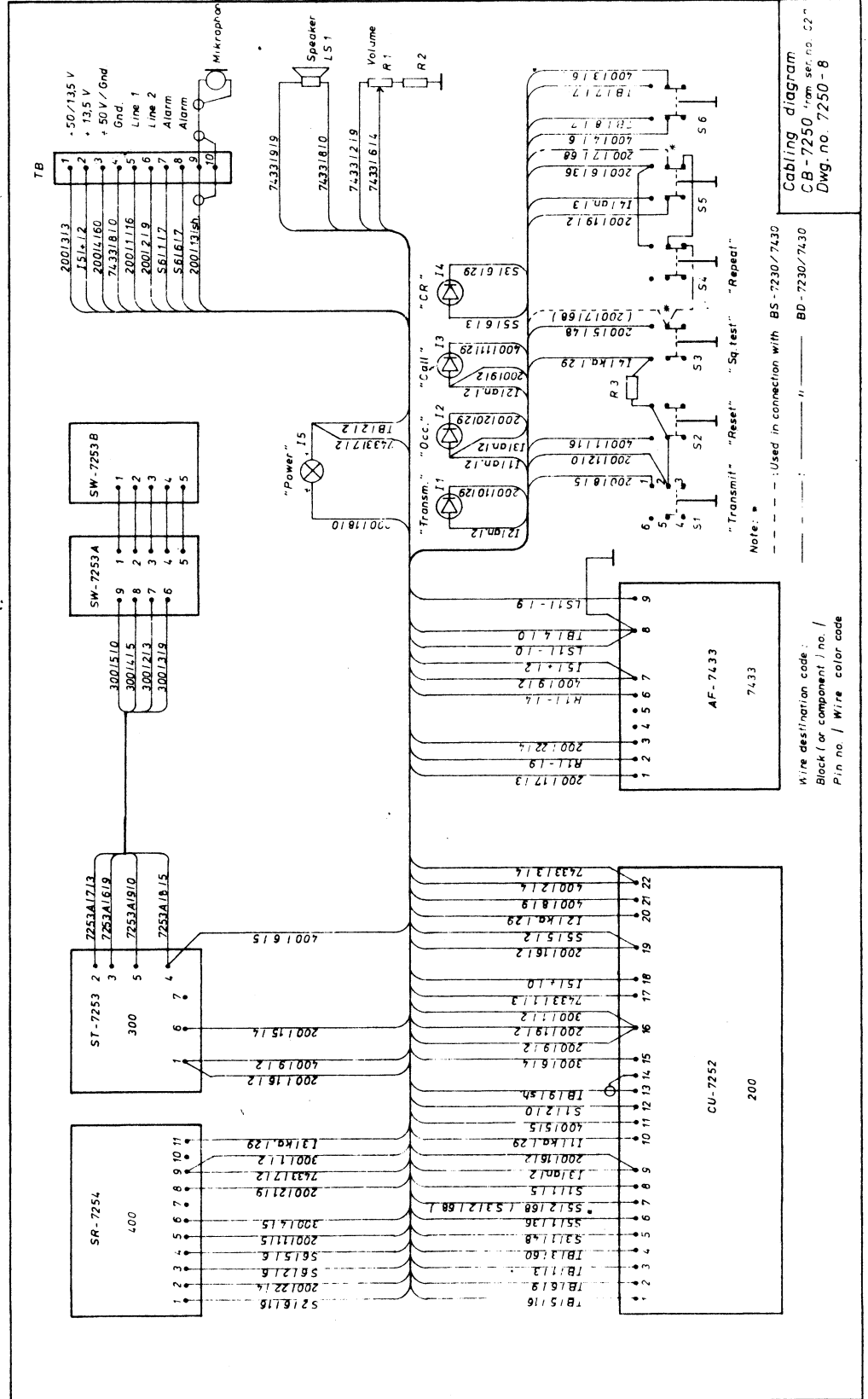
SPH

BOX

PIN

- 1 BRUN
- 2 HVID
- 3 RØD
- 4 GUL
- 5 GRØ
- X. BIR
- 6
- 7
- 8
- 4

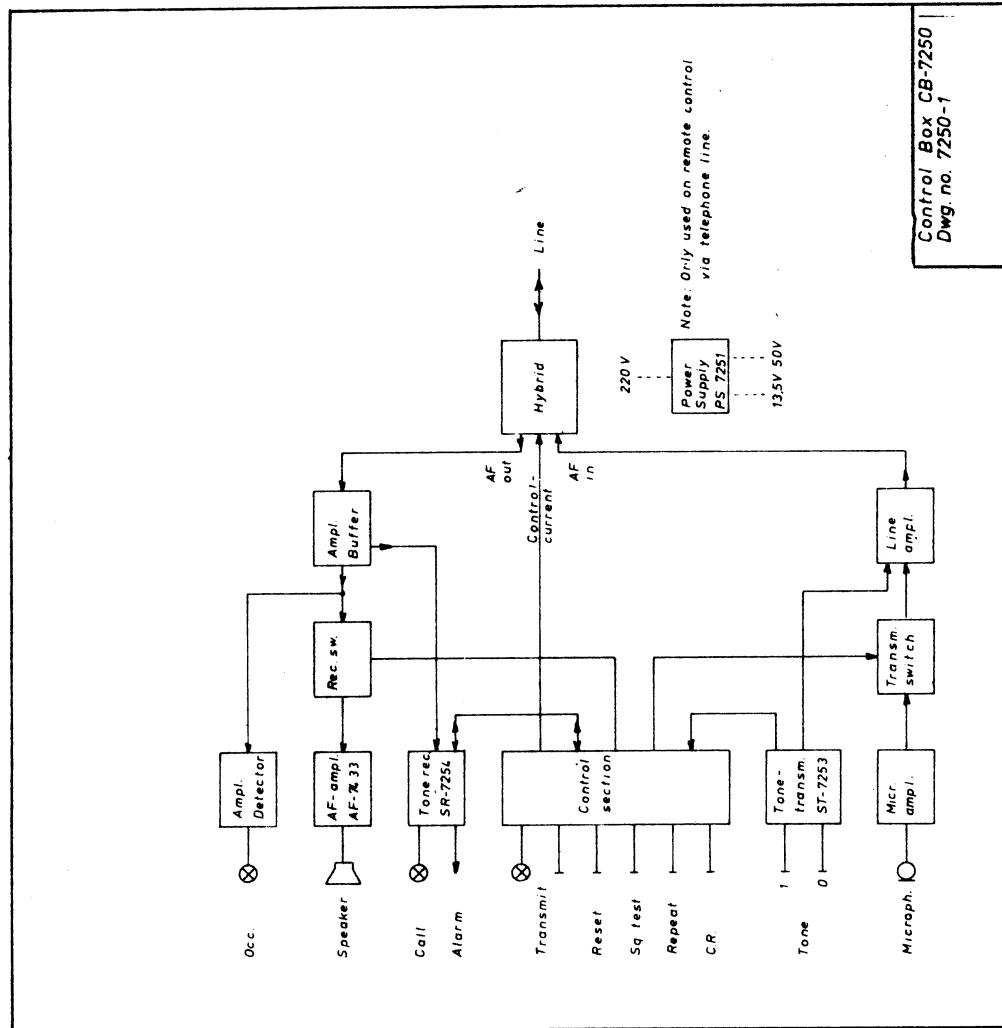
RØD 14KE
FORBUNDET
1 LINIEBOX



Cabling diagram
CB-7250, Item no. 02
DWG. no. 7250-8

Used in connection with BS-7230/7430
BD-7230/7430

Wire destination code:
Block / or component / no. /
Pin no. / Wire color code



Control Box CB-7250
 Dwg no. 7250-1