

# ZODIAC

---

## Driver-unit DR-7236

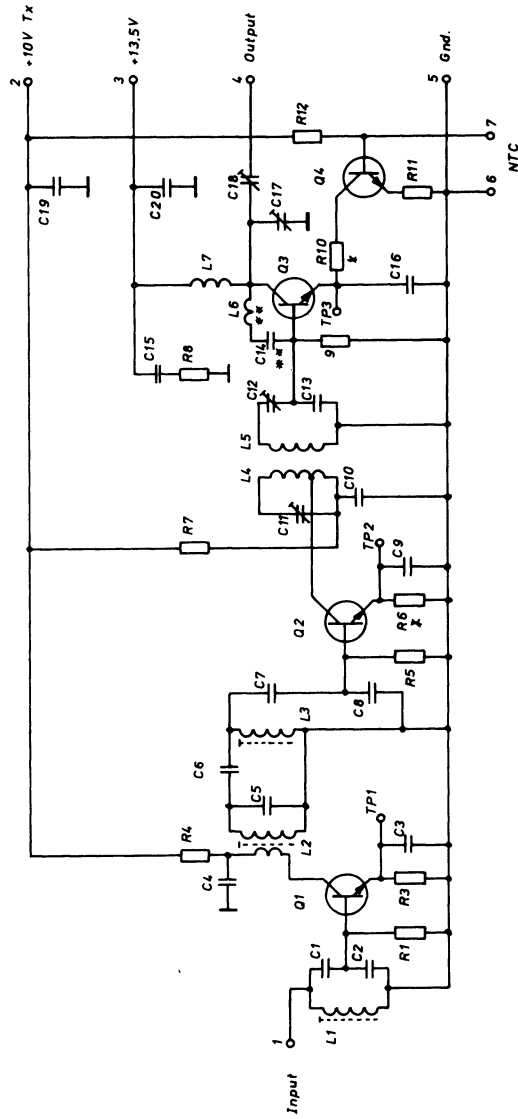
The input circuit L1, C1, and C2 works as impedance matching network to the transistor Q1 which amplifies the signal. The following circuit is tuned to the 2nd harmonic of the signal delivered by the transmitter-multiplier-unit. Transistor Q2 amplifies the signal, and is impedance matched to transistor Q3 by the circuit L4, L5, C11, C12, and C13.

The output power of about 0.5 W is reached by amplification of the signal in transistor Q3.

The driver and PA unit are protected against too high temperatures by a NTC-resistor controlling the basis-emitter voltage of transistor Q4 at high temperatures. The NTC-resistor is placed on the heat sink where the transistors Q1 and Q2 from the PA-unit are mounted.

This document must not be copied, reprinted or disclosed to any third party, either wholly or in part, without our consent. Any infringement will lead to legal proceedings.

ZODIAC-COMMUNICATIONS APS, DENMARK



\* Value selected for  $P_o = 0.5W - 0.75W$

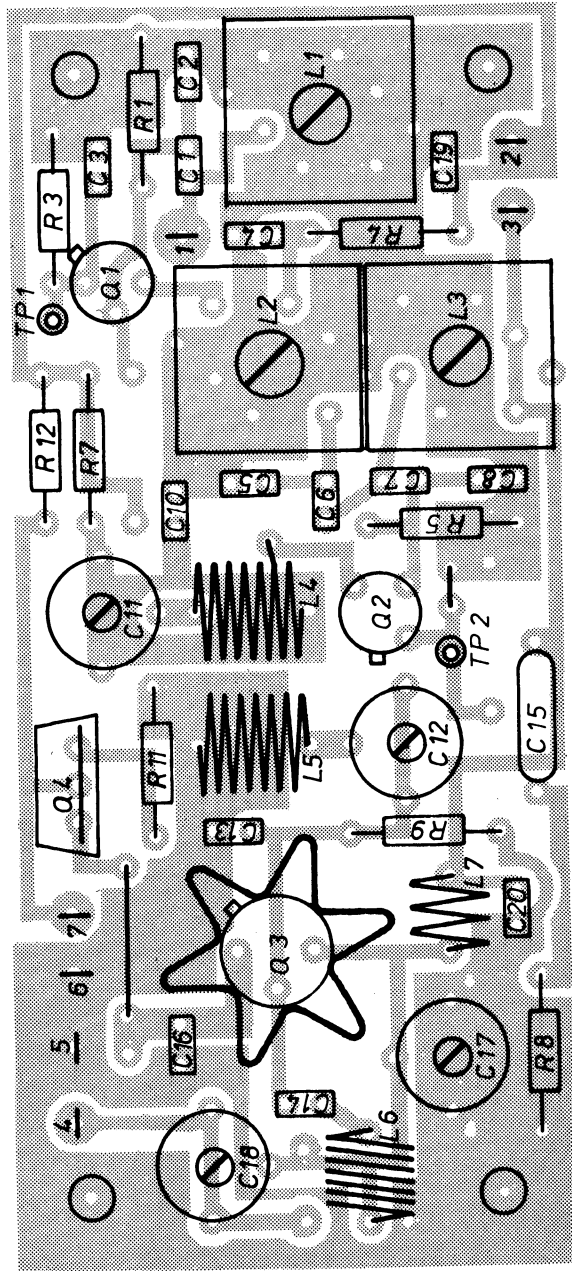
\*\* not used in 4-meter version

**ZODIAC-COMMUNICATIONS**

Driver  
DR - 7236 (1/4)  
Dwg.no. 7236 - 2

This document must not be copied, reprinted or disclosed to any third party, either wholly or in part, without our consent. Any infringement will lead to legal proceedings.

ZODIAC-COMMUNICATIONS APS, DENMARK



**ZODIAC-COMMUNICATIONS**

Driver  
DR-7236 (1/4)  
Dwg.no. 7236 -2

## Driver - DR-7236

<u>Ckt. Symbol</u>	<u>Description</u>	<u>Value or type</u>
Q1	Transistor	BSX 2o
Q2	-	BSX 2o
Q3	-	2N4427-TRW
Q4	-	MPS-U01 ( U05 )
R1	Resistor	1K/1/8 W
R3	-	1oo ohm
R4	-	47 -
R5	-	33o -
R6	-	( 15 -) selected for
R7	-	22 - Po=o,5 -o,75W
R8	-	1o -
R9	-	22 - 47 ohm
R1o	-	Selected for Po=o,5-o,75
R11	-	1 ohm
R12	-	1,8 K
C1	Capacitor	27 pf-ceramic
C2	-	68 pf-ceramic
C3	-	2,2 nf-ceramic
C4	-	4,7 nf-ceramic
C5	-	8,2 pf-ceramic
C6	-	o,5 pf-ceramic
C7	-	12 pf-ceramic
C8	-	33 pf-ceramic
C9	-	2,2 nf-ceramic
C1o	-	4,7 nf-ceramic
C11	Trimmer	15 pf
C12	-	15 pf
C13	Capacitor	68 pf-ceramic
C14	-	4,7 nf-ceramic
C15	-	1oo nf
C16	-	2,2 nf-ceramic
C17	Trimmer	27 pf
C18	-	27 pf
C19	Capacitor	4,7 nf-ceramic
C2o	-	2,2 nf-ceramic

Driver - DR - 7236/4

<u>Ckt. Symbol</u>	<u>Description</u>	<u>Value or Type</u>
Q1	Transistor	BSX 2o
Q2	-	BSX 2o
Q3	-	2N4427 -
Q4	-	MPS-Uo1 ( Uo5 )
R1	Resistor	1 K 1/8 W
R3	-	1oo Ohm -
R4	-	47 Ohm -
R5	-	33o Ohm -
R7	-	22 Ohm -
R8	-	1o Ohm -
R9	-	47 Ohm -
R1o	-	( 5,6 Ohm + ) selected
R11	-	1 Ohm -
R12	-	1,8 K -
C1	Capacitor	47 pf - ceramic
C2	-	12o pf - ceramic
C3	-	2,2 nf - ceramic
C4	-	4,7 nf - ceramic
C5	-	18 pf - ceramic
C6	-	1 pf - ceramic
C7	-	27 pf - ceramic
C8	-	68 pf - ceramic
C1o	-	4,7 nf - ceramic
C11	Trimmer	27 pf
C12	-	27 pf
C13	Capacitor	12o pf - ceramic
C15	-	1oo nf
C16	-	2,2 nf - ceramic
C17	Trimmer / Capacitor	6o pf in par. with 22 pf - cer.
C18	- / -	27 pf in par. with 1o pf - cer.
C19	Capacitor	4,7 nf - ceramic
C2o	-	2,2 nf - ceramic