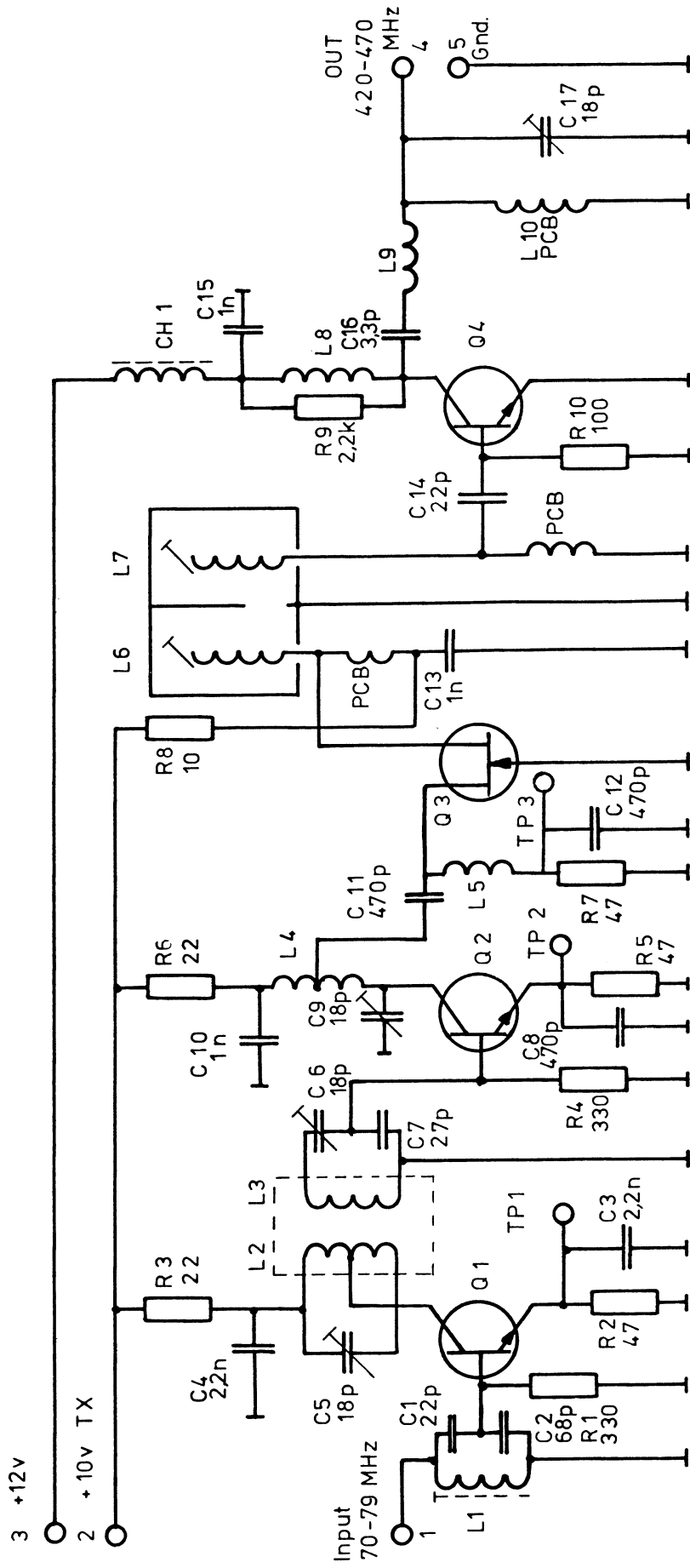


This document must not be copied, reprinted or disclosed to any third party, either wholly or in part, without our consent. Any infringement will lead to legal proceedings.

ZODIAC-COMMUNICATIONS DENMARK



TRIPLER
BSX 20

DOUBLER
BSX 20

AMPLIFIER
J 310

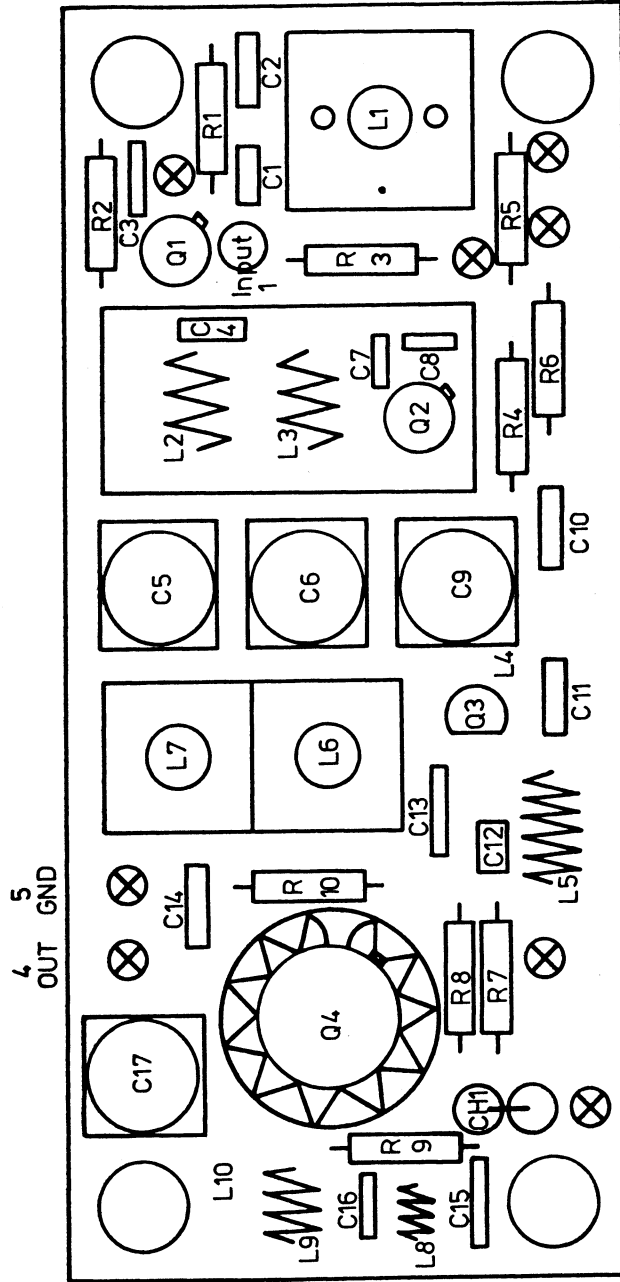
DRIVER
MRF 515

ZODIAC-COMMUNICATIONS

DR 7451

This document must not be copied, reprinted or disclosed to any third party, either wholly or in part, without our consent. Any infringement will lead to legal proceedings.

ZODIAC-COMMUNICATIONS DENMARK



+13.2V +10V
TX 2
3

ZODIAC-COMMUNICATIONS	
UHF DRIVER	
DR 7451	

ZODIAC

TYPE	NO.	ITEM NO.	DESCRIPTION	
		660325	PC-Board	
10 ohm	R8	630025	Resistor	
22 ohm	R3	630033	Resistor	
22 ohm	R6	630033	Resistor	
47 ohm	R2	630041	Resistor	
47 ohm	R5	630041	Resistor	
47 ohm	R7	630041	Resistor	
100 ohm	R10	630049	Resistor	
330 ohm	R1	630061	Resistor	
330 ohm	R4	630061	Resistor	
2,2 Kohm	R9	630081	Resistor	
3,3pF Cer.	C16	640053	Capacitor	
18pF Trim	C5	642003	Capacitor	
18pF Trim	C6	642003	Capacitor	
18pF Trim	C9	642003	Capacitor	
18pF Trim	C17	642003	Capacitor	
22pF Cer.	C1	640063	Capacitor	
22pF Cer.	C14	640063	Capacitor	
27pF Cer.	C7	640064	Capacitor	
68pF Cer.	C2	640069	Capacitor	
100pF Cer.	C11	640071	Capacitor	
470pF Cer.	C8	640006	Capacitor	
470pF Cer.	C12	640006	Capacitor	
1nF Trapez	C10	640801	Capacitor	
1nF Trapez	C13	640801	Capacitor	
1nF Trapez	C15	640801	Capacitor	
2,2nF Cer.	C3	640513	Capacitor	
2,2nF Cer.	C4	640513	Capacitor	
BSX20	Q1	614070	Transistor	
BSX20	Q2	614070	Transistor	
				Date 84.10.03.
			DRIVER DR-7451	Comp. List No
				Page 1 / 2

