

ZODIAC

Description of Line Unit LU-75330 S

The Line Unit consists of a balanced hybrid with an active lowpass-filter and a transistor switch which changes T/R.

The signal from the IF-unit feds to pin 7 in the line unit where it via a low-pass-filter feds to the input (2,3) of IC5a with the amplification factor 1. The signal feds over R1 and C3 to T1 and into the line.

A received signal from the line is passed via T1 and C3 to the input 5 of IC5b. The amplification of IC5b eliminates the loss of the line. The signal from the output feds via C12 and R10 to R11 and from here to the microphone amplifier.

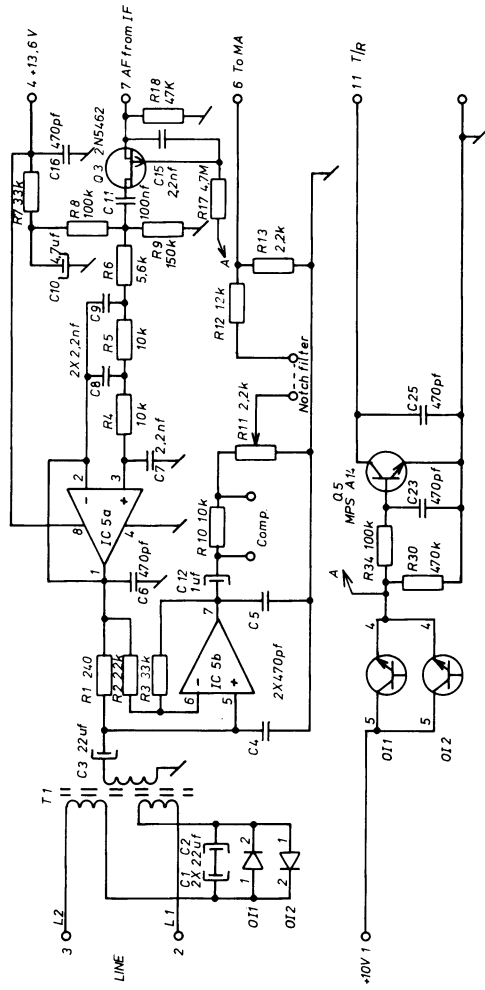
In parallel to R10 a compensation for the characteristic of the line can be connected. Between the resistors R11 and R12 a Notch-filter can be inserted.

If a signal has to be transferred, the line is supplied with a current of 5 ma, which via the opto-coupler controls the transistor Q5 so that there is changed between transmitting or receiving (T/R). It is just the same which polarity the current has, because the opto-couplers are connected in anti-parallel and activates by a current in both directions.

The capacitors C1 and C2 are placed to prevent the opto-couplers from activating by signal voltages.

This document must not be copied, reprinted or disclosed to any third party, either wholly or in part, without our consent. Any infringement will lead to legal proceedings.

ZODIAC-COMMUNICATIONS APS, DENMARK

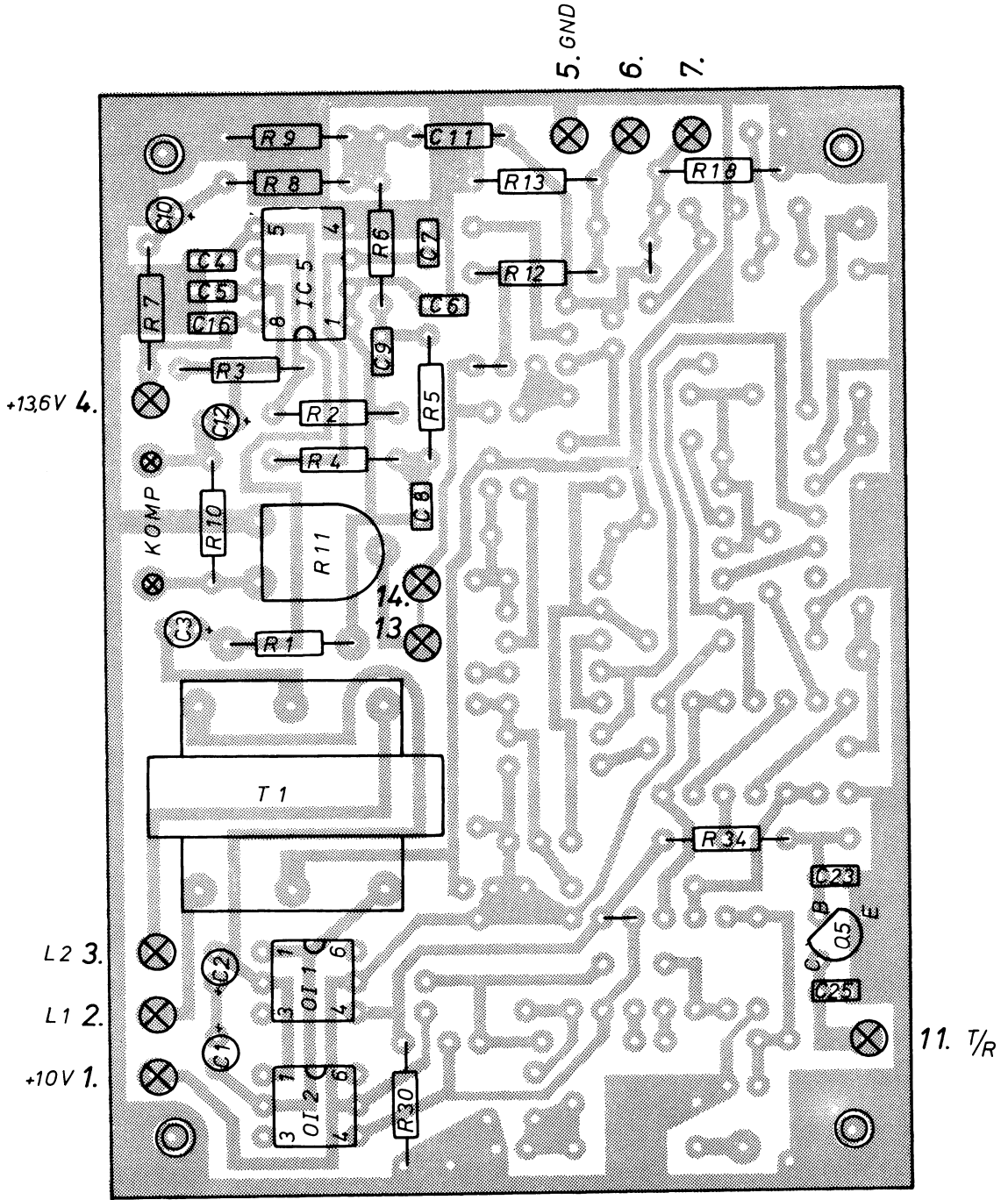


ZODIAC-COMMUNICATIONS

Line Unit
 LU - 75330 - S
 Dwg. no. 75330 - 2

This document must not be copied, reprinted or disclosed to any third party, either wholly or in part, without our consent. Any infringement will lead to legal proceedings.

ZODIAC-COMMUNICATIONS APS, DENMARK



ZODIAC-COMMUNICATIONS
 Line Unit
 LU - 75330 - S
 Dwg. no. 75330 - 3

ZODIAC

TYPE	NO.	CODE	DESCRIPTION
LU-75330/S			Line Unit
	R1		Resistor, 240 ohm, 5%, 1/8 W
	R2		Resistor, 22 kohm, 5%, 1/8 W
	R3		Resistor, 33 kohm, 5%, 1/8 W
	R4		Resistor, 10 kohm, 5%, 1/8 W
	R5		Resistor, 10 kohm, 5%, 1/8 W
	R6		Resistor, 5,6 kohm, 5%, 1/8 W
	R7		Resistor, 33 kohm, 5%, 1/8 W
	R8		Resistor, 100 kohm, 5%, 1/8 W
	R9		Resistor, 150 kohm, 5%, 1/8 W
	R10		Resistor, 10 kohm, 5%, 1/8 W
	R11		Trimmer, 2,2 kohm, hor.
	R12		Resistor, 18 kohm, 5%, 1/8 W
	R13		Resistor, 2,2 kohm, 5%, 1/8 W
	R18		Resistor, 47 kohm, 5%, 1/8 W
	R30		Resistor, 470 kohm, 5%, 1/8 W
	R34		Resistor, 100 kohm, 5%, 1/8 W
	C1		Capacitor, 22 uF/6V, tantal
	C2		Capacitor, 22 uF/6V, tantal
	C3		Capacitor, 22 uF/16 V, tantal
	C4		Capacitor, 470 pF, ceramic
	C5		Capacitor, 470 pF, ceramic
	C6		Capacitor, 470 pF, ceramic
	C7		Capacitor, 2,2 nF, ceramic
	C8		Capacitor, 2,2 nF, ceramic
	C9		Capacitor, 2,2 nF, ceramic
	C10		Capacitor, 4,7 uF/16V, tantal
	C11		Capacitor, 100 nF, polyester
	C12		Capacitor, 1 uF, tantal
	C16		Capacitor, 470 pF, ceramic
			Date 780706
		Line Unit, LU-75330/S	Comp. List No 6780015 9600373
			Page 1 / 2

ZODIAC

TYPE	NO.	CODE	DESCRIPTION	
	C23		Capacitor, 470 pF, ceramic	
	C25		Capacitor, 470 pF, ceramic	
	IC5		IC, MC1458CP1	
	O11		Opto Coupler, TIL112	
	O12		Opto Coupler, TIL112	
	Q5		Transistor, MPS-A14	
	T1		Transformer, JS 11879	
		Line Unit, LU-75330/S		Date 780706
				Comp. List No 6780015 9600373
				Page 2 / 2