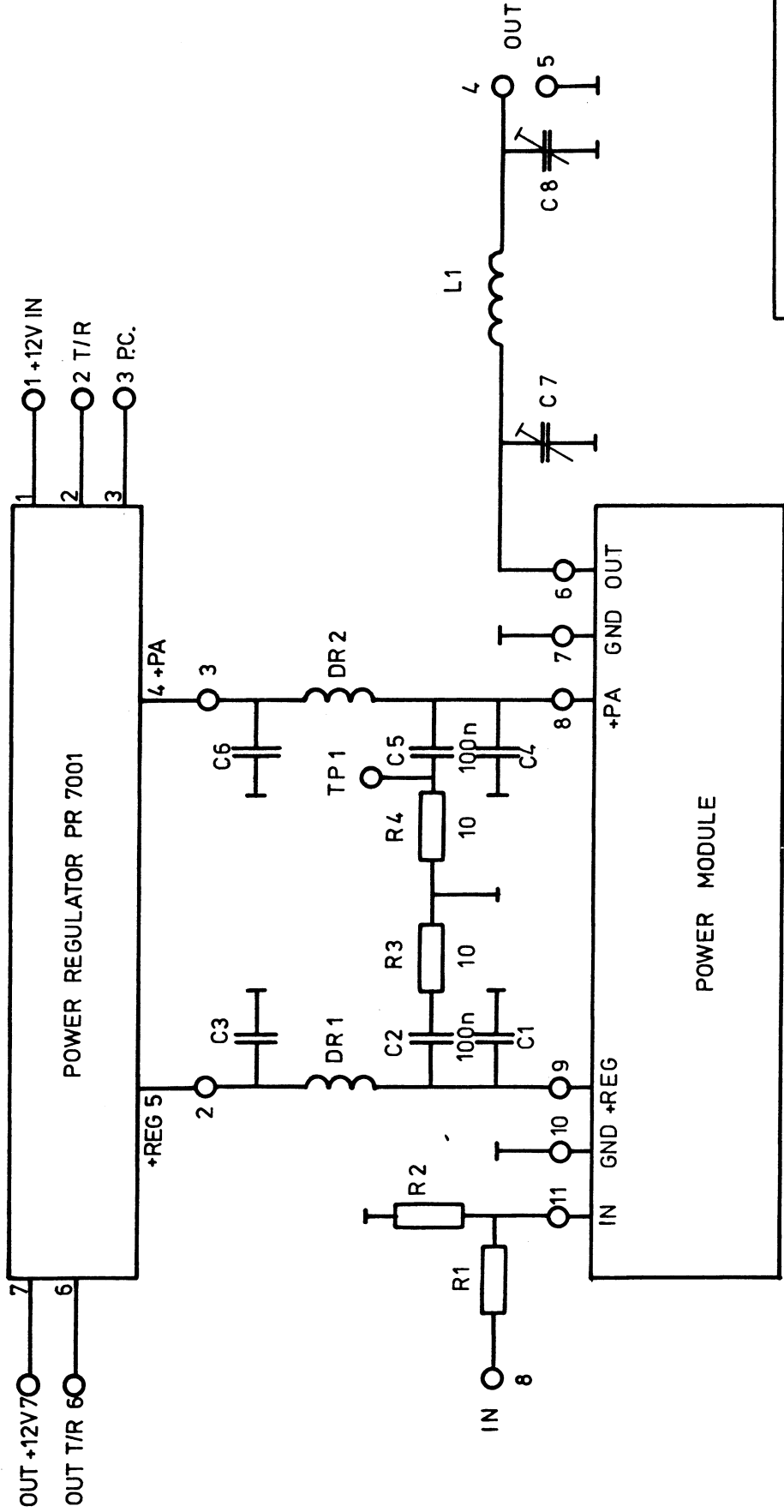


This document must not be copied, reprinted or disclosed to any third party, either wholly or in part, without our consent. Any infringement will lead to legal proceedings.

ZODIAC-COMMUNICATIONS DENMARK



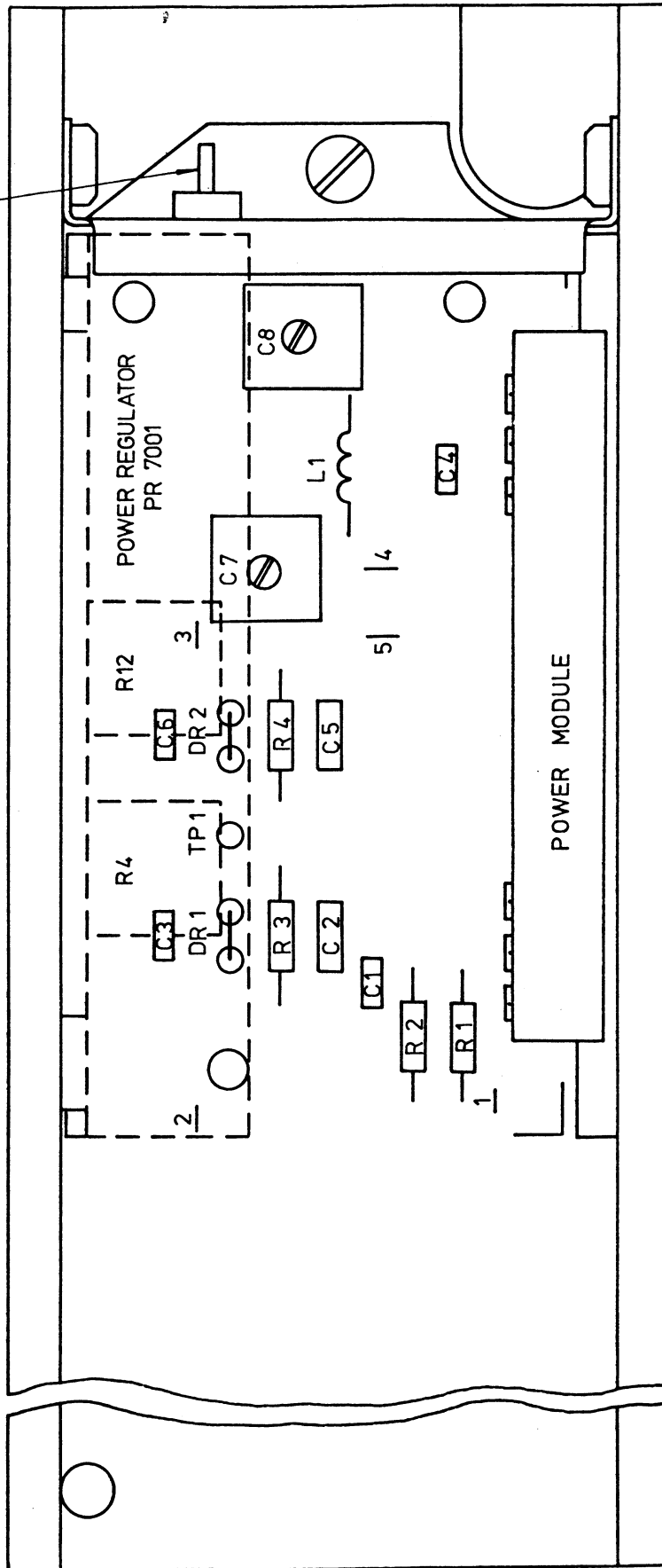
ZODIAC-COMMUNICATIONS	
POWER AMPLIFIER	PA 7452

This document must not be copied, reprinted or disclosed to any third party, either wholly or in part, without our consent. Any infringement will lead to legal proceedings.

ZODIAC-COMMUNICATIONS

DENMARK

- 1 +12V IN
- 2 T/R
- 3 P.C.



ZODIAC-COMMUNICATIONS	
POWER AMPLIFIER	PA 7452

ZODIAC

TYPE	NO.	ITEM NO.	DESCRIPTION	
MHW-720/1	IC1	530395	U-profile, UHF	
MHW-720/2	IC1	610045	Power Module	420-450MHz
		610050	Power Module	450-470MHz
		410003	PC-board	
10 ohm	R1		Resistor	
10 ohm	R3		Resistor	
10 ohm	R4		Resistor	
18pF Trim	C7		Capacitor	
18pF Trim	C8		Capacitor	
68pF Cer.	C1		Capacitor	
68pF Cer.	C4		Capacitor	
470pF Cer.	C3		Capacitor	
470pF Cer.	C6		Capacitor	
100pF Poly	C2		Capacitor	
100pF Poly	C5		Capacitor	
	DR1		Ferritbead	
	DR2		Ferritbead	
			Crystalsocket	
			Clips	
			Testpoint Tube	
			Turbular Rivet, ø 3,8x4	
			Solderpin	
			Baffleplate	
1,2nF		640704	Capacitor	
			Compound for TU-126	
		680025	Wire, silver plated CU 1,2mm	
		670010	Screw, M2x8	
		670090	Screw, M3x10	
			Screw, M3x7	
		670070	Screw, M3x3	
			Date	
			84.10.03.	
POWER AMPLIFIER PA-7452			Comp. List No	
			Page	1 / 2

ZODIAC

TYPE	NO.	ITEM NO.	DESCRIPTION	
		670420 410009	Nut, M3x2,5 Power Regulator PR-7001	
		Date 84.10.03.		
	POWER AMPLIFIER PA-7452	Comp. List No Page 2/ 2		