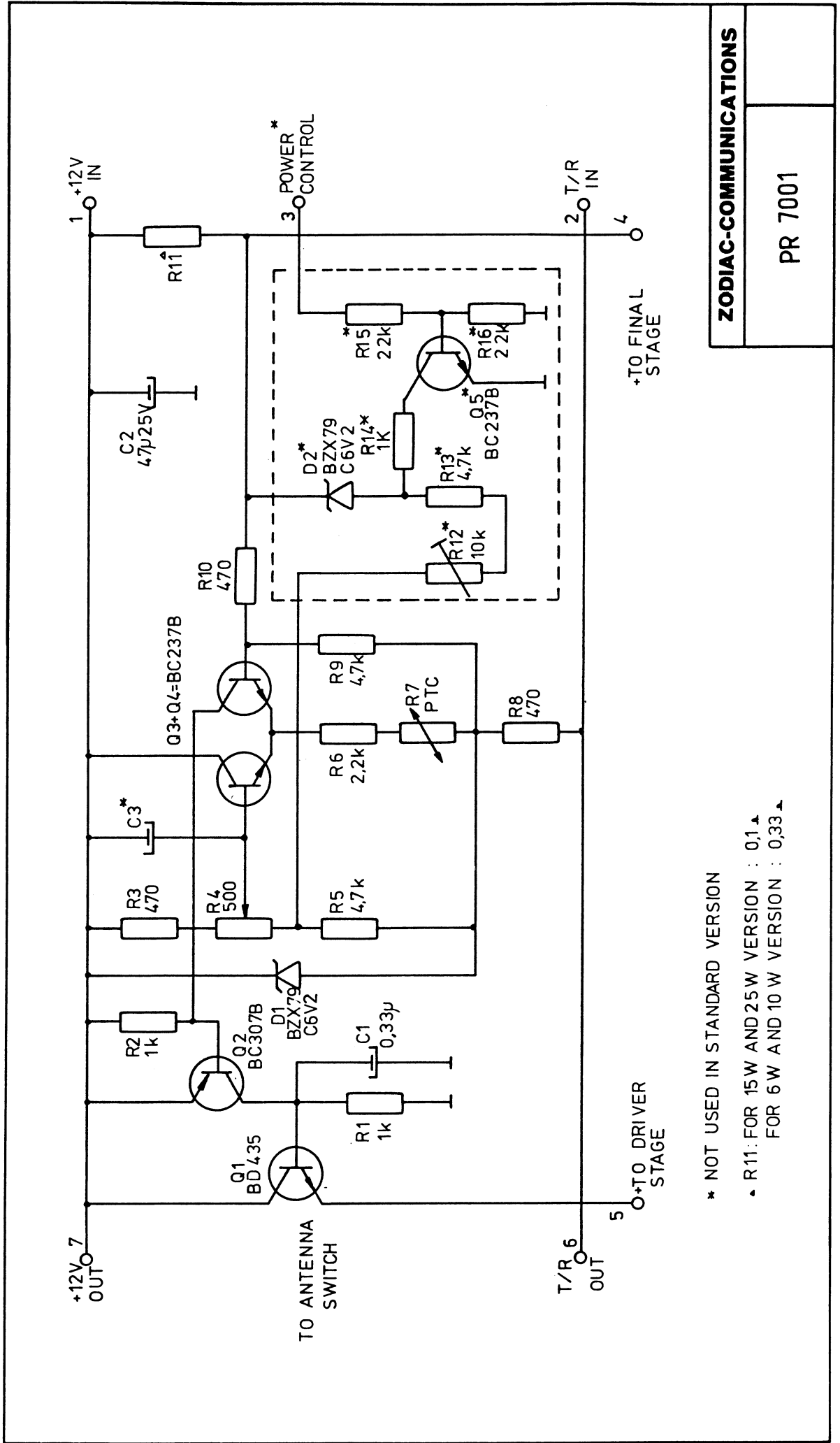


This document must not be copied, reprinted or disclosed to any third party, either wholly or in part, without our consent. Any infringement will lead to legal proceedings.

ZODIAC-COMMUNICATIONS DENMARK



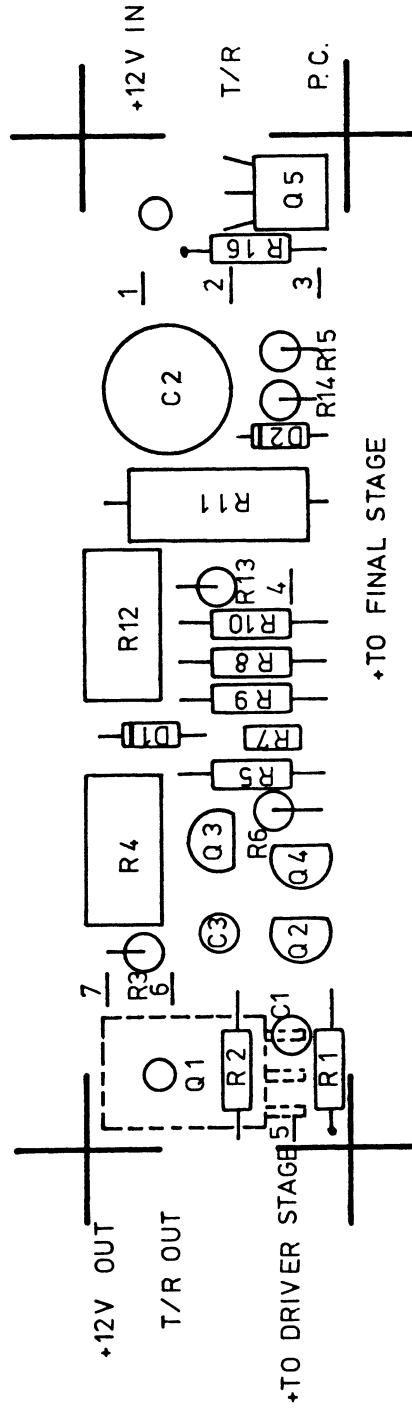
* NOT USED IN STANDARD VERSION

▲ R11: FOR 15W AND 25W VERSION : 0,1▲
 FOR 6W AND 10W VERSION : 0,33▲

ZODIAC-COMMUNICATIONS	
PR 7001	

This document must not be copied, reprinted or disclosed to any third party, either wholly or in part, without our consent. Any infringement will lead to legal proceedings.

ZODIAC-COMMUNICATIONS - DENMARK



ZODIAC-COMMUNICATIONS	
PR 7001	

ZODIAC

TYPE	NO.	ITEM NO.	DESCRIPTION
		660245	PC-Board
0,1 ohm	R11	632025	Resistor
470 ohm	R3	630065	Resistor
470 ohm	R8	630065	Resistor
470 ohm	R10	630065	Resistor
1 Kohm	R1	630073	Resistor
1 Kohm	R2	630073	Resistor
2,2 Kohm	R6	630081	Resistor
4,7 Kohm	R5	630089	Resistor
4,7 Kohm	R9	630089	Resistor
72XWR500	R4	633056	Helitrim
	R7	634125	PTC Resistor
0,33 uF	C1	643007	Capacitor, 35V - Tantal
47 uF	C2	643633	Capacitor, 25V
BZX79C6V2	D1	615025	Diode
BC-237	Q3	614015	Transistor
BC-237	Q4	614015	Transistor
BC-307	Q2	614020	Transistor
BD-433	Q1	614030	Transistor
			Turbular Rivet, M2,4x5mm
		672015	Solderpin
			Date 84.10.03.
POWER REGULATOR PR-7001			Comp. List No
			Page 1/1