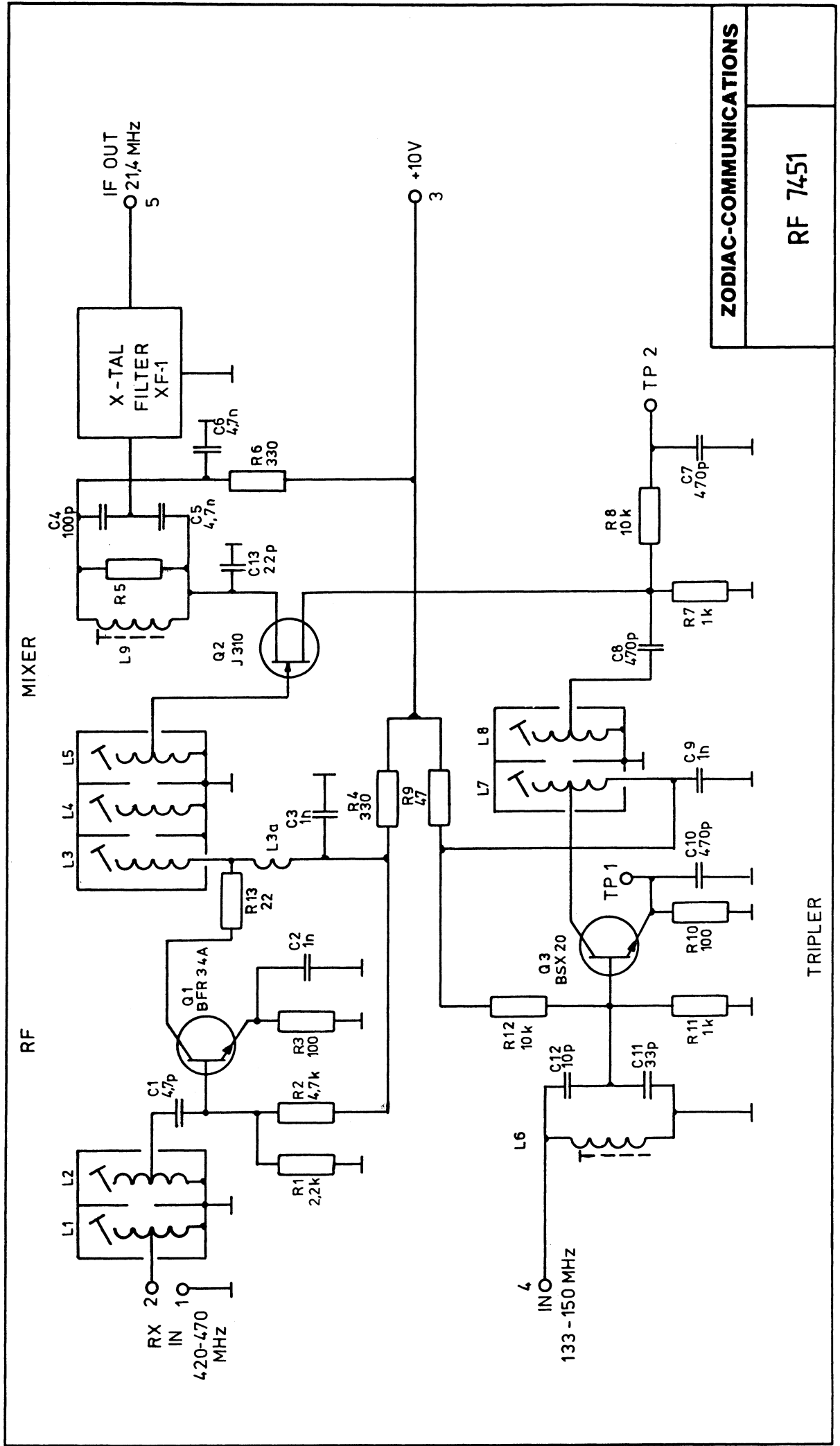


This document must not be copied, reprinted or disclosed to any third party, either wholly or in part, without our consent. Any infringement will lead to legal proceedings.

ZODIAC-COMMUNICATIONS DENMARK



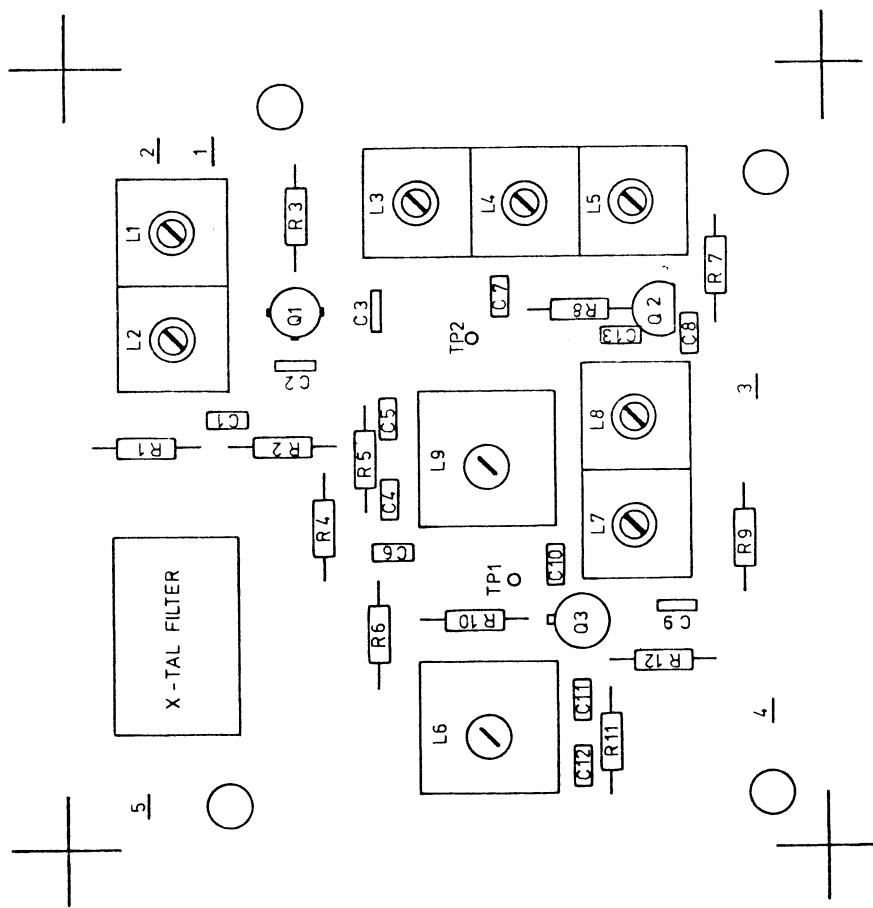
ZODIAC-COMMUNICATIONS

RF 7451

TRIPLER

This document must not be copied, reprinted or disclosed to any third party, either wholly or in part, without our consent. Any infringement will lead to legal proceedings.

ZODIAC-COMMUNICATIONS DENMARK



ZODIAC-COMMUNICATIONS	Tegn nr.: 9600112
RF-unit RF 7451	

ZODIAC

TYPE	NO.	ITEM NO.	DESCRIPTION	
		660320	PC-board	
NDK21F15DH			X-tall filter	
47 ohm	R9	630041	Resistor	
100 ohm	R3			
	R10	630049	Resistor	
330 ohm	R4			
	R6	630061	Resistor	
1Kohm	R7			
	R11	630073	Resistor	
22Kohm	R1	630081	Resistor	
4,7Kohm	R2	630089	Resistor	
10Kohm	R8			
	R12	630097	Resistor	
4,7pF Cer.	C1	640055	Capacitor	
10pF	C12	640059	Capacitor	
22pF	C13	640063	Capacitor	
33pF	C11	640065	Capacitor	
100pF	C4	640071	Capacitor	
470pF	C7			
	C8			
	C10	640006	Capacitor	
1nF Trapez	C2			
	C3			
	C9	640801	Capacitor	
4,7nF Cer.	C5			
	C6	640018	Capacitor	
BFR-34A	Q1	614185	Transistor	
J310	Q2	614190	Transistor	
BSX20	Q3	614070	Transistor	
				Date
				84.10.03.
		RF-UNIT RF-7451		Comp. List No
				Page 1 / 2

ZODIAC

TYPE	NO.	ITEM NO.	DESCRIPTION	
7 3/4	L1			420-450MHz
	L2			420-450MHz
	L8		Coil	420-450MHz
7 1/2	L1			450-470MHz
	L2			450-470MHz
	L3			450-470MHz
7	L3		Coil	450-470MHz
7 3/8	L4			450-470MHz
	L5		Coil	450-470MHz
7 7/8	L4			420-450MHz
	L5		Coil	420-450MHz
7 1/8	L7		Coil	420-450MHz
7 1/4	L7		Coil	450-470MHz
8	L8		Coil	420-470MHz
B12			Neosid	
10mm			Double Helix	
		672105	Testpoint Tube	
		672015	Solderpin	
		671125	Turbular Rivet	
			Tribble Helix	
	L6		Coil	
	L9		Coil	
				Date
				84.10.03.
			RF-UNIT RF-7451	Comp. List No
				Page 2/2