

Description - SCS-77325

Selective Code Selector for CB-7550

The unit is intended for use with switches on sequence 4 and 5 with automatic insertion of R-tone on these sequences.

In the following cases R-tone must be inserted:

A B C C C → A B C R C (3 equal)  
 A B C C D → A B C R D } (2 equal)  
 A B C D D → A B C D R }

TRUTH TABLE

Programm.	Sequence no.	S			S'			OUT R
		3	4	5	3	4	5	
A B C C C R	3	1	0	0	1	1	1	0
	4	0	1	0	1	1	1	1
	5	0	0	1	1	1	1	0
A B C C D R	3	1	0	0	1	1	0	0
	4	0	1	0	1	1	0	1
	5	0	0	1	0	0	1	0
A B C D D R	3	1	0	0	1	0	0	0
	4	0	1	0	0	1	1	0
	5	0	0	1	0	1	1	1

S is on outputs

S' is after the stop diodes

$$R = S4 \cdot S'3 \cdot S'4 \cdot S'5 + S4 \cdot S'3 \cdot S'4 \cdot \overline{S'5} + S5 \cdot \overline{S'3} \cdot S'4 \cdot S'5$$

$$\downarrow$$

$$R = S4 \cdot S'3 \cdot S'4 \cdot (S'5 + \overline{S'5}) + S5 \cdot \overline{S'3} \cdot S'4 \cdot S'5$$

$$\downarrow$$

$$R = \underline{\underline{S4 \cdot S'3 \cdot S'4 + S5 \cdot \overline{S'3} \cdot S'4 \cdot S'5}}$$

S3 is not used, the stopdiode to this is then omitted.

Stopdiode inserted in R-connection

This is necessary, to prevent signal returning from Q1 to the input terminal of the decoder (with R programmed).

The situation is the same with S3T. By programming of S3T to R-tone, it must be to the R-terminal on the dialswitch, not to the PCB-terminals.

When dialswitch is used on S3T, too, it can be connected either parallel with the two others or direct to TT. The R-terminal must be connected direct to the R-switches together with the switch terminal which has the same number as the S2-tone.

# ZODIAC

---

## Test Routine - SCS-77325

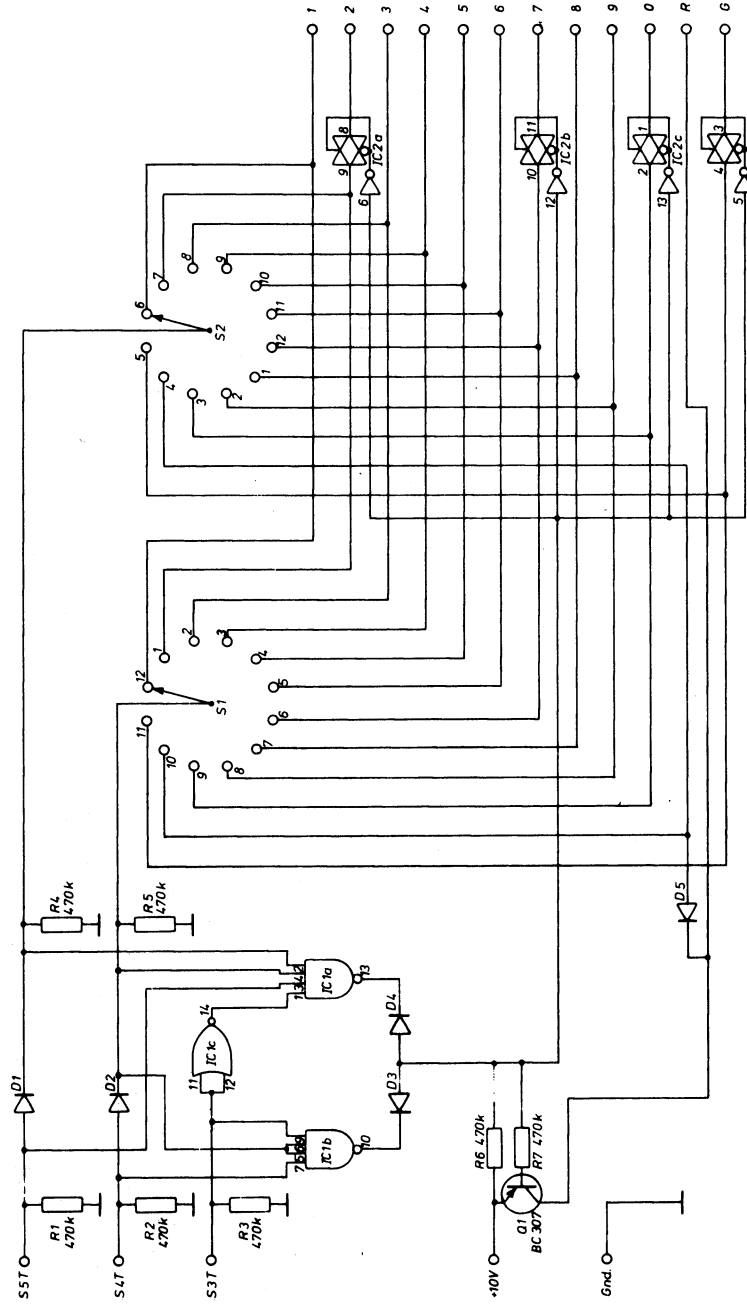
The following routine is necessary for a total test of units mounted in CB-7550:

<u>Preset code</u>	<u>Transmitted code</u>
A B R 1 1	A B R 1 R
A B R 2 2	A B R 2 R
A B R 3 3	A B R 3 R
A B R 4 4	A B R 4 R
A B R 5 5	A B R 5 6
A B R 6 6	A B R 6 R
A B R 7 7	A B R 7 R
A B R 8 8	A B R 8 R
A B R 9 9	A B R 9 R
A B R 0 0	A B R 0 R
A B R G G	A B R G R
A B R G R	A B R G R
A B C C C	A B C R C
A B A A A	A B A R A

A, B and C are arbitrary numbers, except R, so two numbers after each other cannot both be R.

This document must not be copied, reprinted or disclosed to any third party, either wholly or in part, without our consent. Any infringement will lead to legal proceedings.

ZODIAC-COMMUNICATIONS APS, DENMARK



D1 - DS: 1N4148  
 IC1: MC 14501  
 IC2: MC 14016

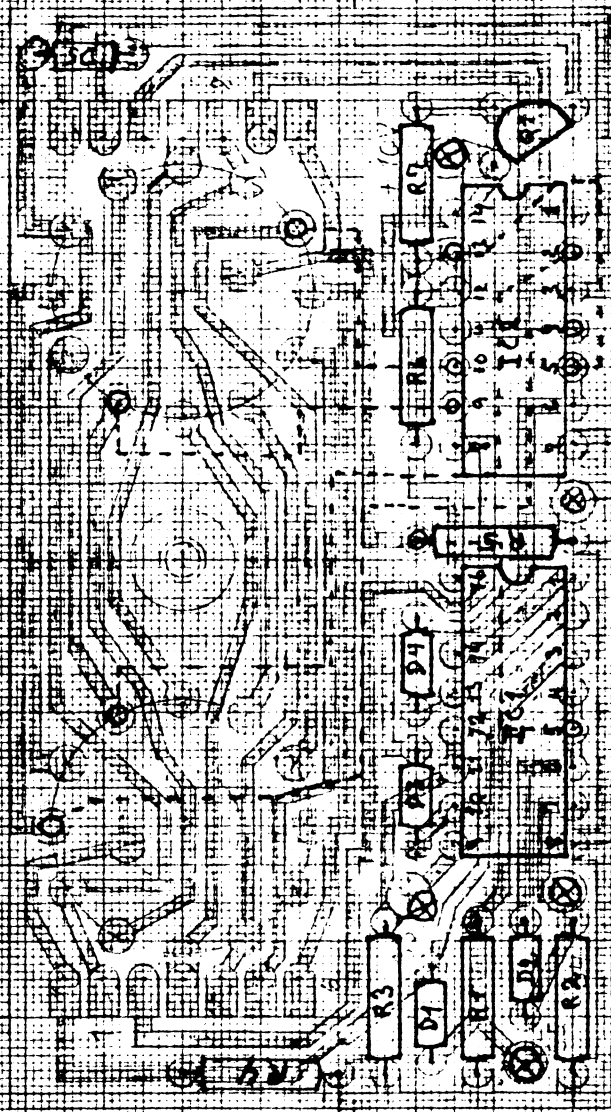
**ZODIAC-COMMUNICATIONS**

Sel. Code Selector  
 SCS-77325  
 Dwg.no. 77325-2

# ZODIAC

TYPE	NO.	ITEM NO.	DESCRIPTION
		660235	PC-board
	S1	661110	Switch
	S2	661110	Switch
470Kohm	R1	630137	Resistor
470Kohm	R2	630137	Resistor
470Kohm	R3	630137	Resistor
470Kohm	R4	630137	Resistor
470Kohm	R5	630137	Resistor
470Kohm	R6	630137	Resistor
470Kohm	R7	630137	Resistor
1N4148	D1	615070	Diode
1N4148	D2	615070	Diode
1N4148	D3	615070	Diode
1N4148	D4	615070	Diode
1N4148	D5	615070	Diode
BC307	Q1	614020	Transistor
4501U	IC1	612304	IC
4066B	IC2	612133	IC
		670465	Distance Nut
			Date
			84.10.16.
R-TONE FOR CONTROLBOX SCS-77325			Comp. List No
			Page 1/1

SCS-77375



+10V

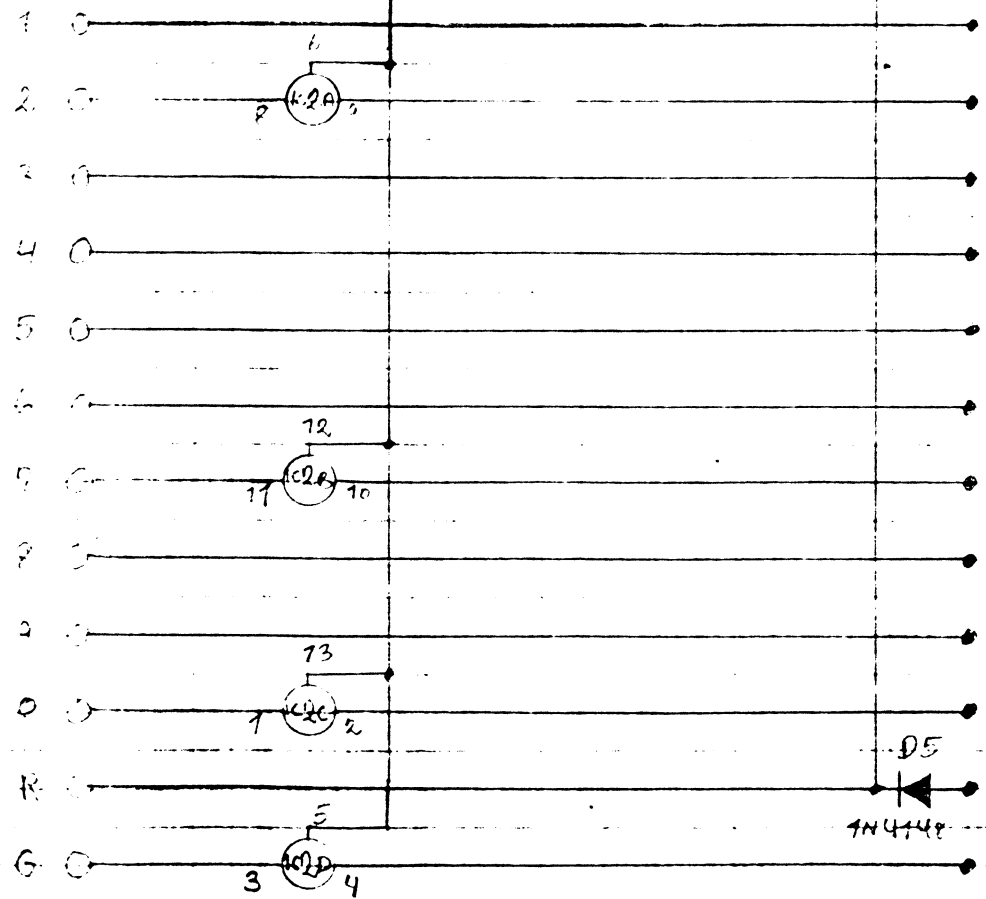
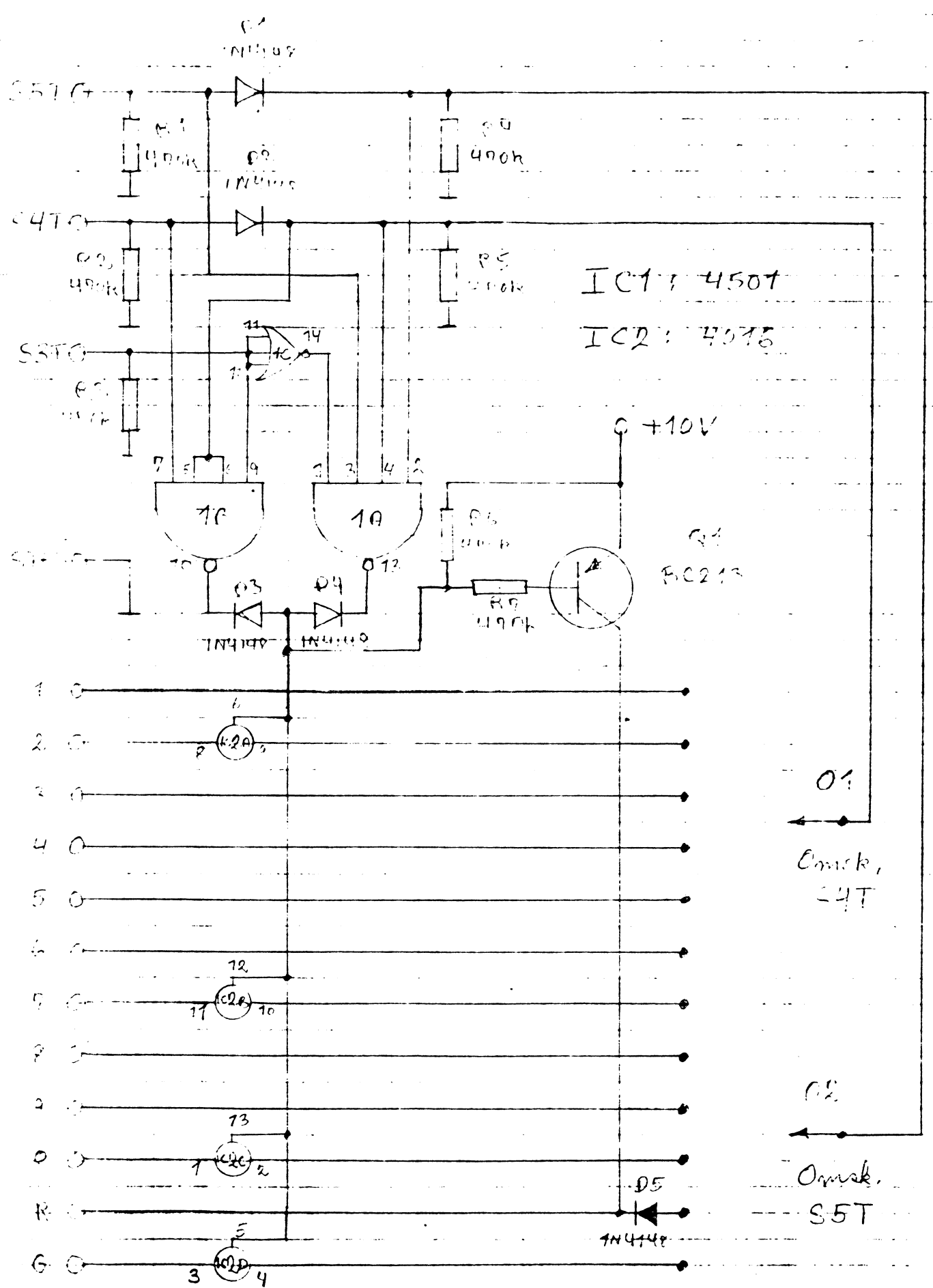
S3T

S5T

S4T

STEL

H.D.



O1  
 ←  
 Onsk,  
 24T

O2  
 ←

Onsk,  
 S5T