

ZODIAC

Description of 1-Tone Repeaterstart SR-75318

The circuit of the 1-Tone Repeaterstart consists of a tonedecoder TC1 (LM 567) with corresponding components to determine the center frequency, the bandwidth and the delay, additional there is a transistor-stage which supplies "Rep. Set" in LU 75330.

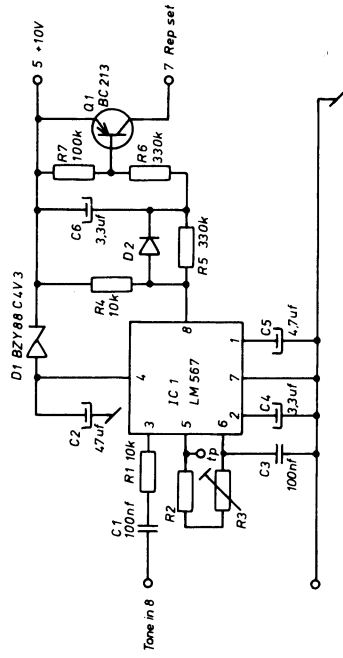
The AF-signal from the receiver feds via C1 and R1 to the tonedecoder. The center frequency and the bandwidth of the tonedecoder is determined by means of corresponding components. By receiving the correct tone the output at pin 8 goes to low-potential. The capacitor C6 discharges over R5, and if the voltage is dropped sufficiently, a current is drawn through R6 and R7 which causes a voltage-drop so that the transistor Q1 starts to draw current and supplies "Rep. Set".

As soon as the tone-signal disappears, the output of the tonedecoder goes at high-potential, the capacitor C6 is charged over R4 and D2. The voltage-drops over R6 and R7 go down, and the transistor Q1 blocks.

The time delay from the start of the tone and until Q1 activates is about 250 msec.

This document must not be copied, reprinted or disclosed to any third party, either wholly or in part, without our consent. Any infringement will lead to legal proceedings.

ZODIAC-COMMUNICATIONS APS, DENMARK



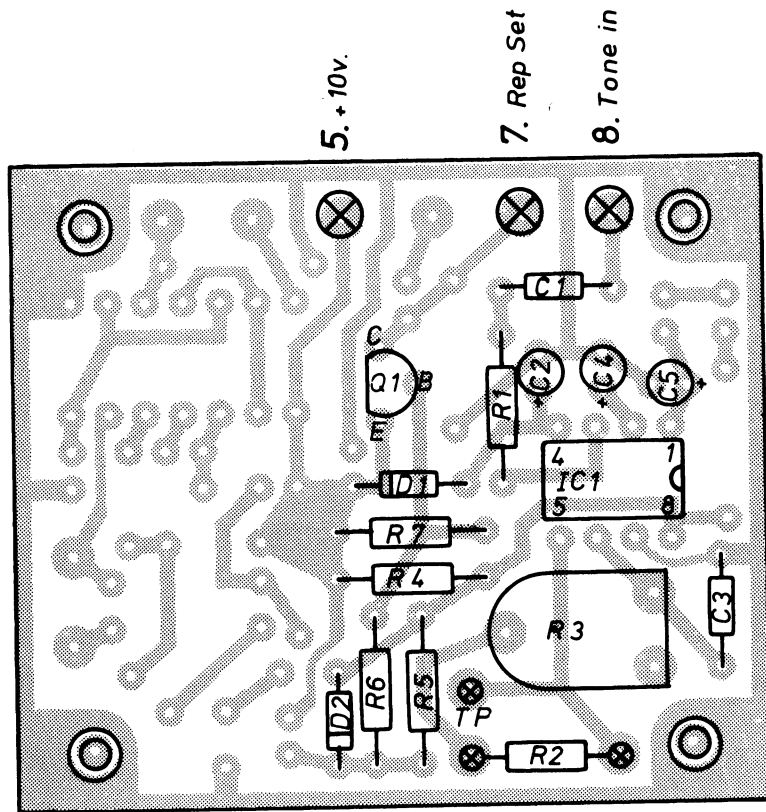
ZODIAC-COMMUNICATIONS

Selective Repeaterstart
SR - 75318

Dwg. no. 75318 - 4

This document must not be copied, reprinted or disclosed to any third party, either wholly or in part, without our consent. Any infringement will lead to legal proceedings.

ZODIAC-COMMUNICATIONS AFS, DENMARK



ZODIAC-COMMUNICATIONS

Selective Repeaterstart
SR - 75318
Dwg. no. 75318 - 5

ZODIAC

TYPE	NO.	ITEM NO.	DESCRIPTION
LM-567	IC1	613080	IC
BC213B	Q1		Transistor
BZY88C4V3	D1	615010	Diode
1N4148	D2	615070	Diode
10Kohm	R1	630097	Resistor
	R2		Resistor, selected value
	R3		Resistor, Trimmer, selected value
10Kohm	R4	630097	Resistor
330Kohm	R5	630133	Resistor
330Kohm	R6	630133	Resistor
100kOhm	R7	630121	Resistor
100nF	C1	641475	Capacitor
47uF	C2		Capacitor
100nF	C3		Capacitor
3,3uF	C4	643019	Capacitor
4,7uF	C5	643021	Capacitor
3,3uF	C6		Capacitor
			Date
			84.10.16.
SELECTIVE REPEATERSTART SR-75318			Comp. List No
			Page 1 / 1