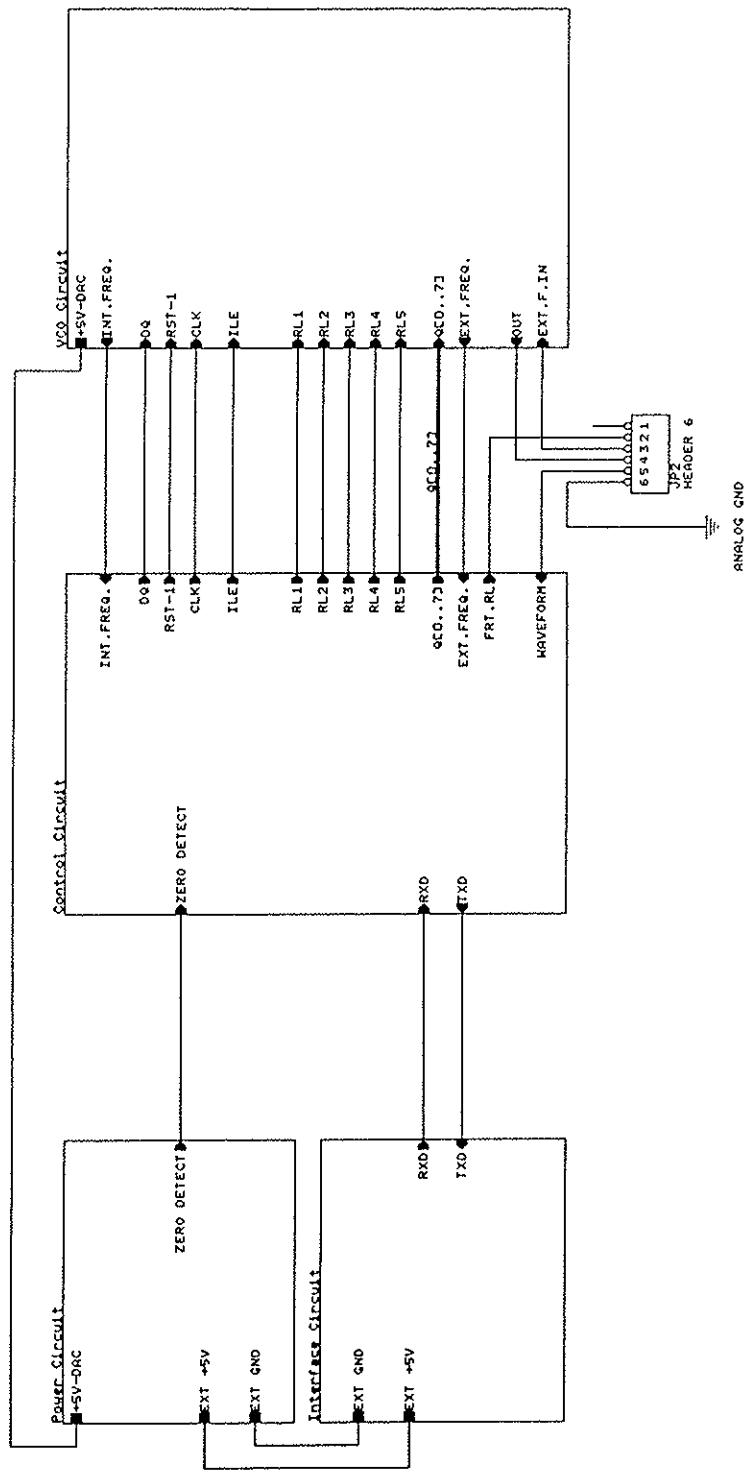
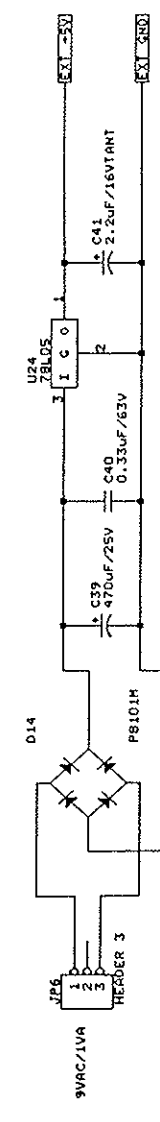
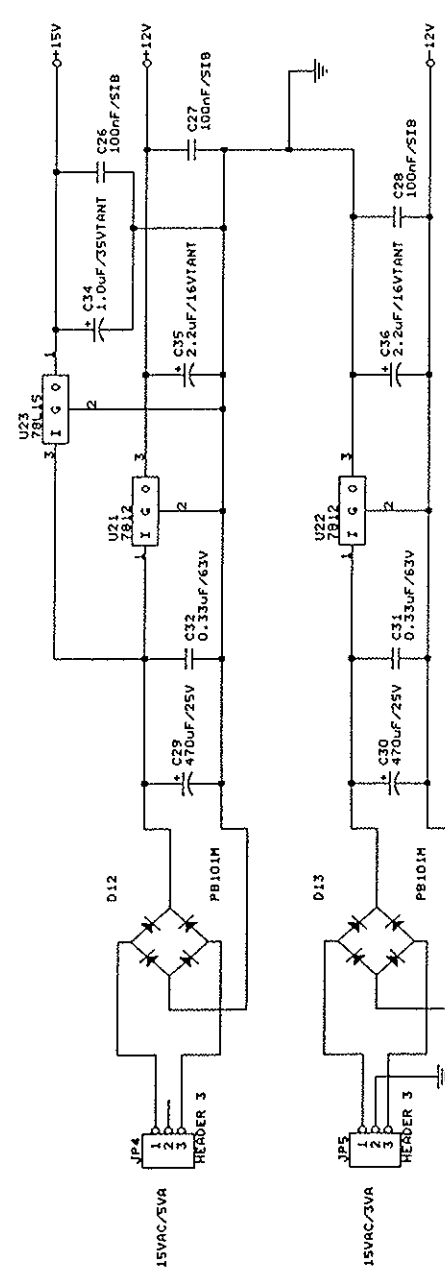
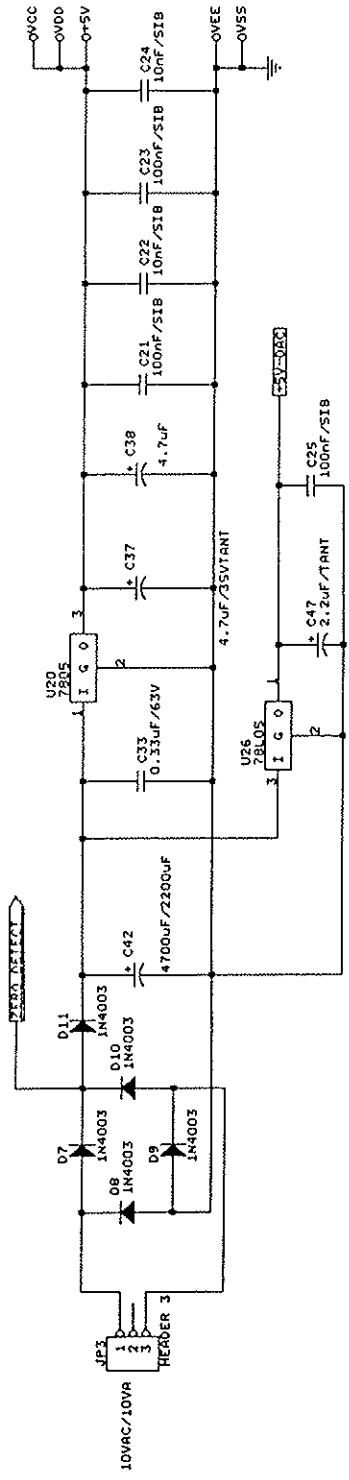


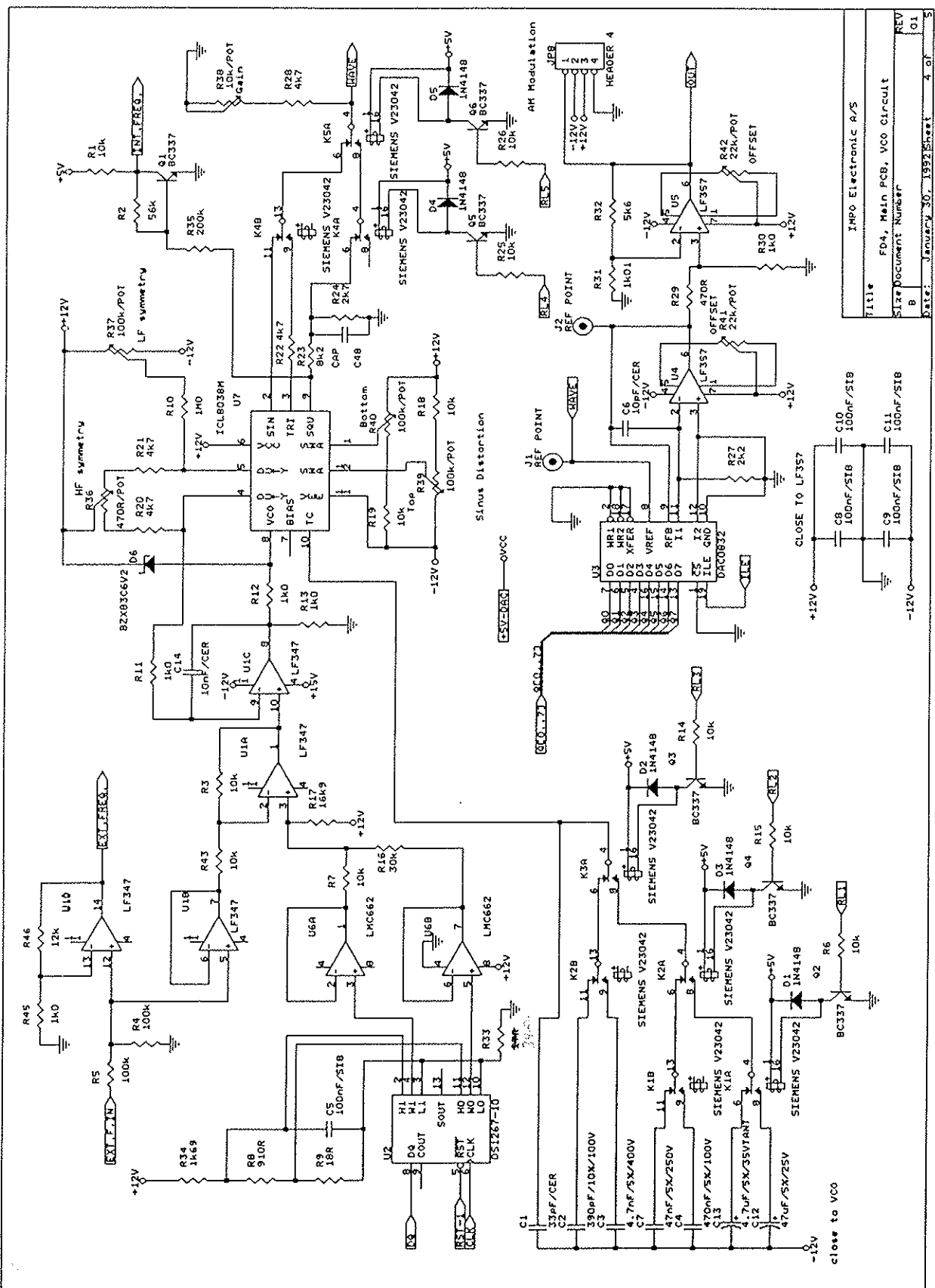
Title: IMPO Electronic A/S
 Size: Display PCB
 Document Number: B
 REV: 1
 Date: January 27, 1992 Sheet 1 of 1



Title	IMPO Electronic A/S
Size Document Number	FD4, Main PCB
B	REV
Date:	January 20, 1992 Sheet 1 of 3



Title	IMP0 Electronic A/S
Size	FD4, Main PCB, Power Circuit
REV	Document Number
	8
Date:	January 20, 1992 Sheet 2 of 5

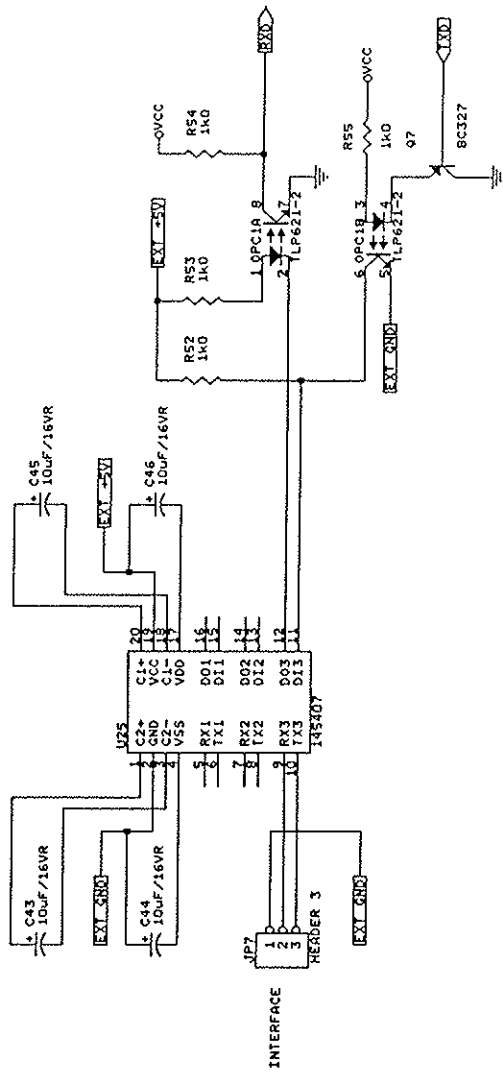


Title IMPO Electronic A/S
 F04, Main PCB, VCO Circuit
 Size Document Number
 B
 Date: January 30, 1992 Sheet 4 of 5

+12V
 -12V
 CLOSE TO LF357
 C8 100nF/SIB
 C9 100nF/SIB
 C10 100nF/SIB
 C11 100nF/SIB

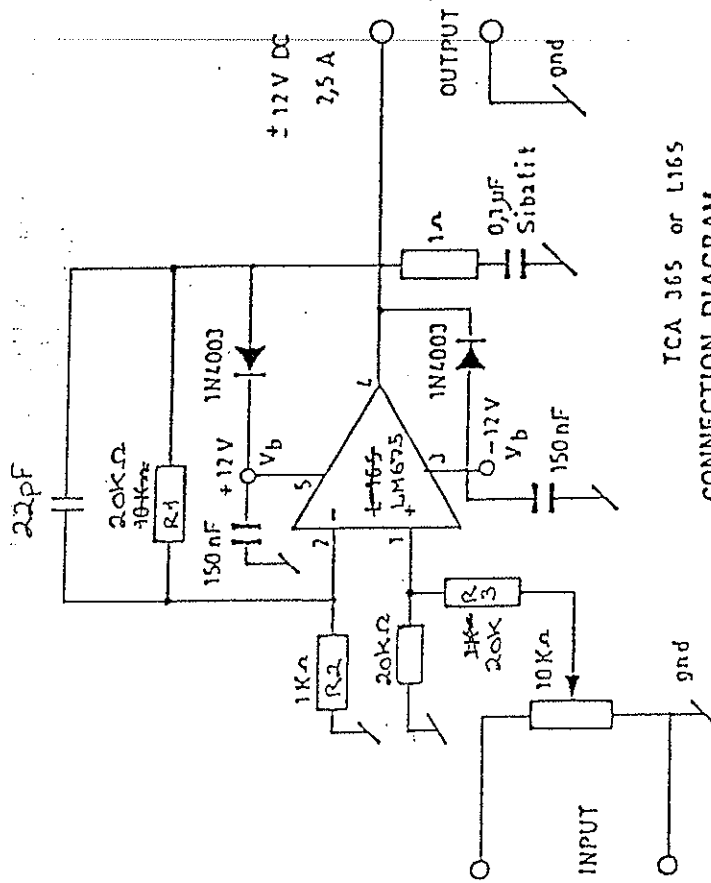
+12V
 -12V
 CLOSE TO LF357
 C8 100nF/SIB
 C9 100nF/SIB
 C10 100nF/SIB
 C11 100nF/SIB

+12V
 -12V
 CLOSE TO VCO
 C1 33pF/CER
 C2 390pF/10K/100V
 C3 1.7nF/5K/400V
 C4 47nF/5K/250V
 C5 470nF/5K/100V
 C6 10pF/CER
 C7 4.7uF/5K/35V/TANT
 C8 100nF/SIB
 C9 100nF/SIB
 C10 100nF/SIB
 C11 100nF/SIB



Title	IMFO Electronic A/S
Size	FD4, Main PCB, Interface Circuit
Document Number	B
REV	REV
Date	November 8, 1991
Sheet	5 of 5

DC POWER AMPLIFIER



TCA 365 or L165
CONNECTION DIAGRAM
 (top view)

