

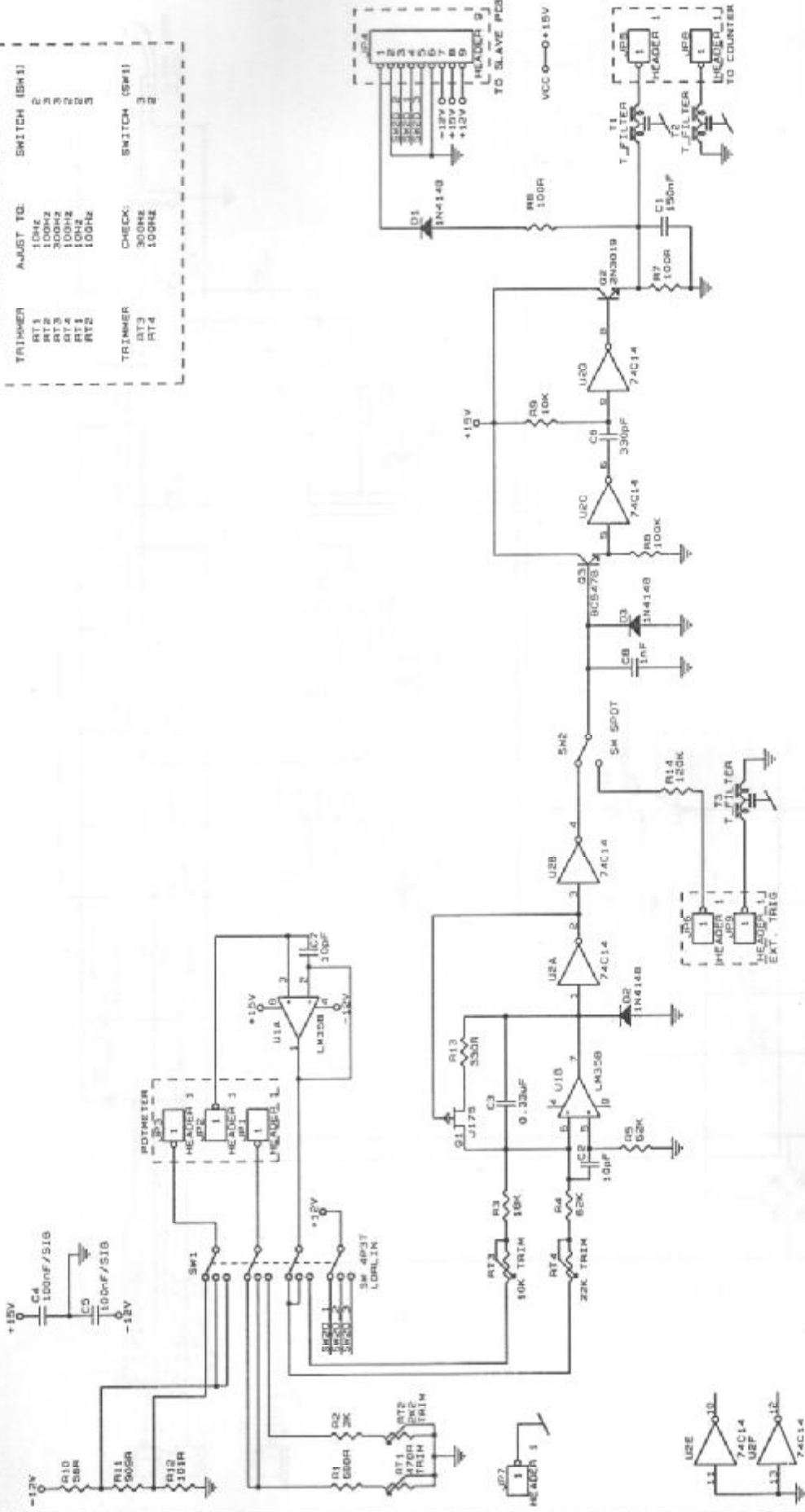
TITLE		IMPD ELECTRONIC A/S
SIZE		LINMET STROGZCDCR, Top Schematic
D		Document Number 4371
FILE		SECURITY_19_1995_SCH01
		1 of 1

# ADJUSTING ORDER

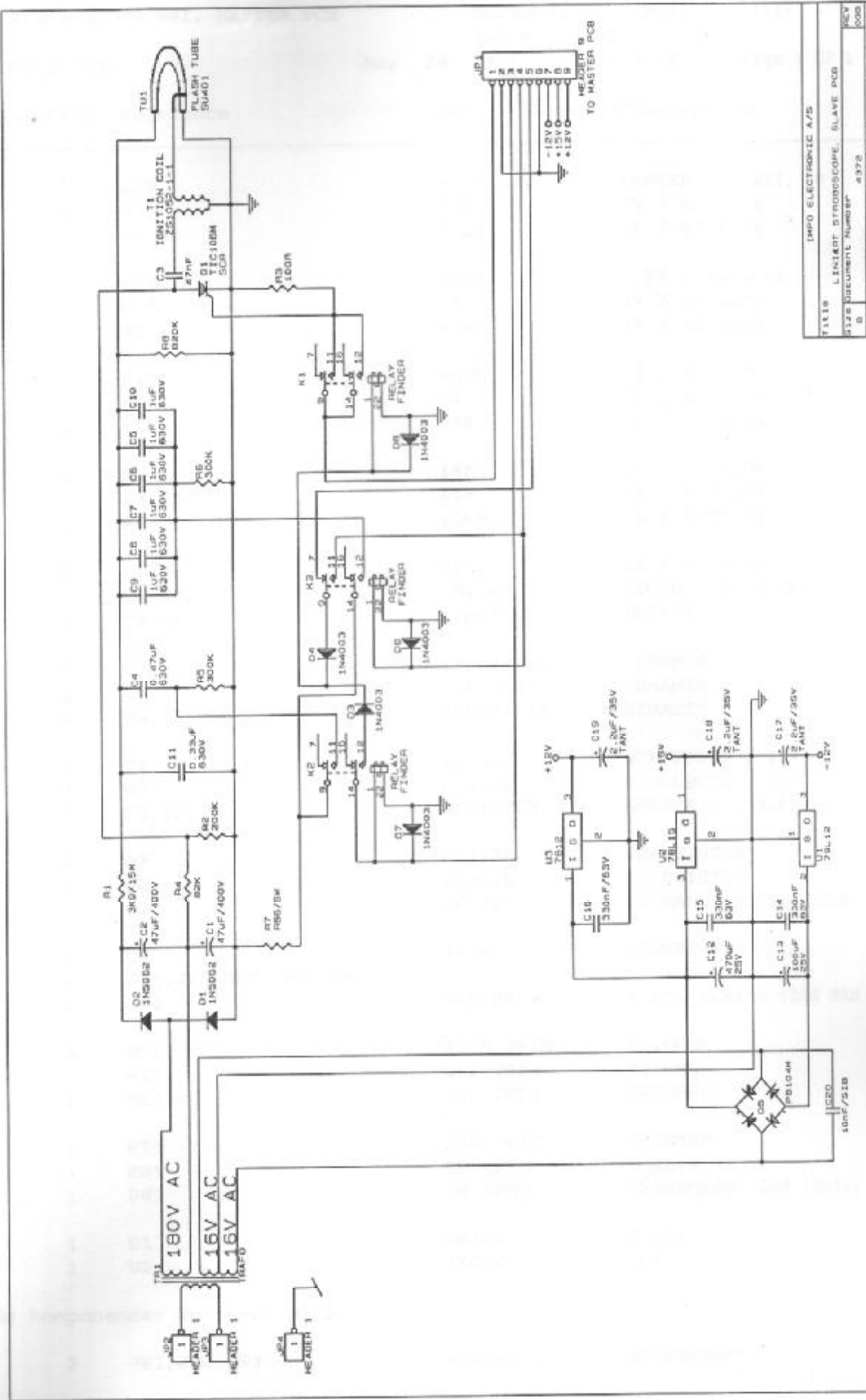
TRIMMER	AJUST TO	SWITCH (SM1)
RT1	10Hz	2
RT2	100Hz	3
RT3	300Hz	4
RT4	1000Hz	5
RT1	10Hz	6
RT2	100Hz	7
RT3	300Hz	8
RT4	1000Hz	9

TRIMMER	CHECK:	SWITCH (SM1)
RT3	300Hz	3
RT4	1000Hz	4



FILE	1MPD ELECTRONIC A/S
SIZE	LENIENT STEREOSCOPE MASTER PCB
REV	D
DOC	4373
REV	008
DOC	REV 08 1000 000001



DMO ELECTRONIC A/S	
T1118	LINEST STROBOSCOPE, SLAVE PCB
B	SIZE DOCUMENT NUMBER 4372
REV	000