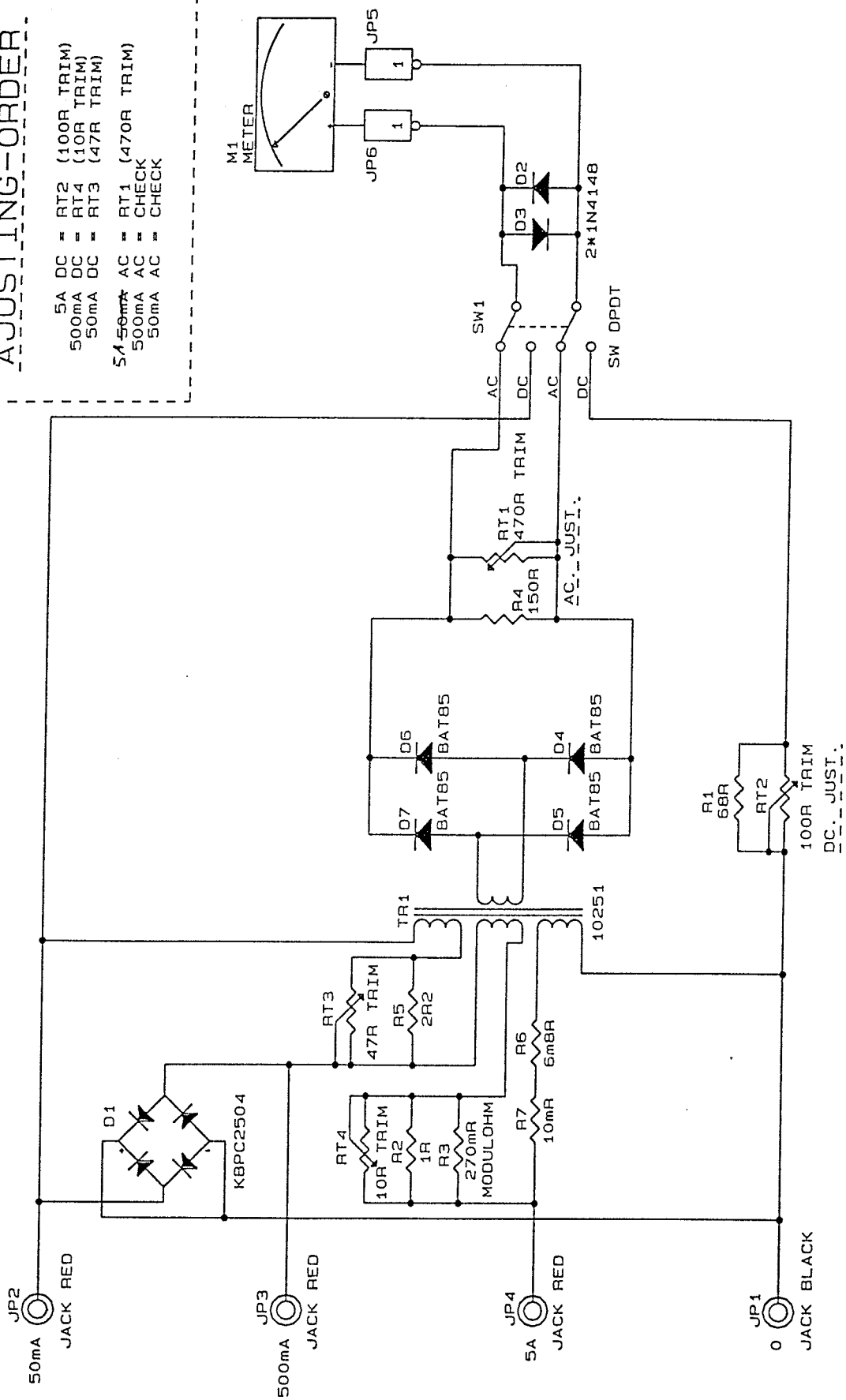


AJUSTING-ORDER

- 5A DC = RT2 (100R TRIM)
- 500mA DC = RT4 (10R TRIM)
- 500mA AC = RT3 (47R TRIM)
- 5A 500mA AC = RT1 (470R TRIM)
- 500mA AC = CHECK
- 50mA AC = CHECK



IMPO ELECTRONIC A/S	
Title	ELEV INSTRUMENT. AM-METER 13.83
Size	Document Number
A	381B
Date:	November 16, 1995
Sheet	1 of 1
REV	02

AM-METER 13.83 PCB NR. 3750 REV. 02