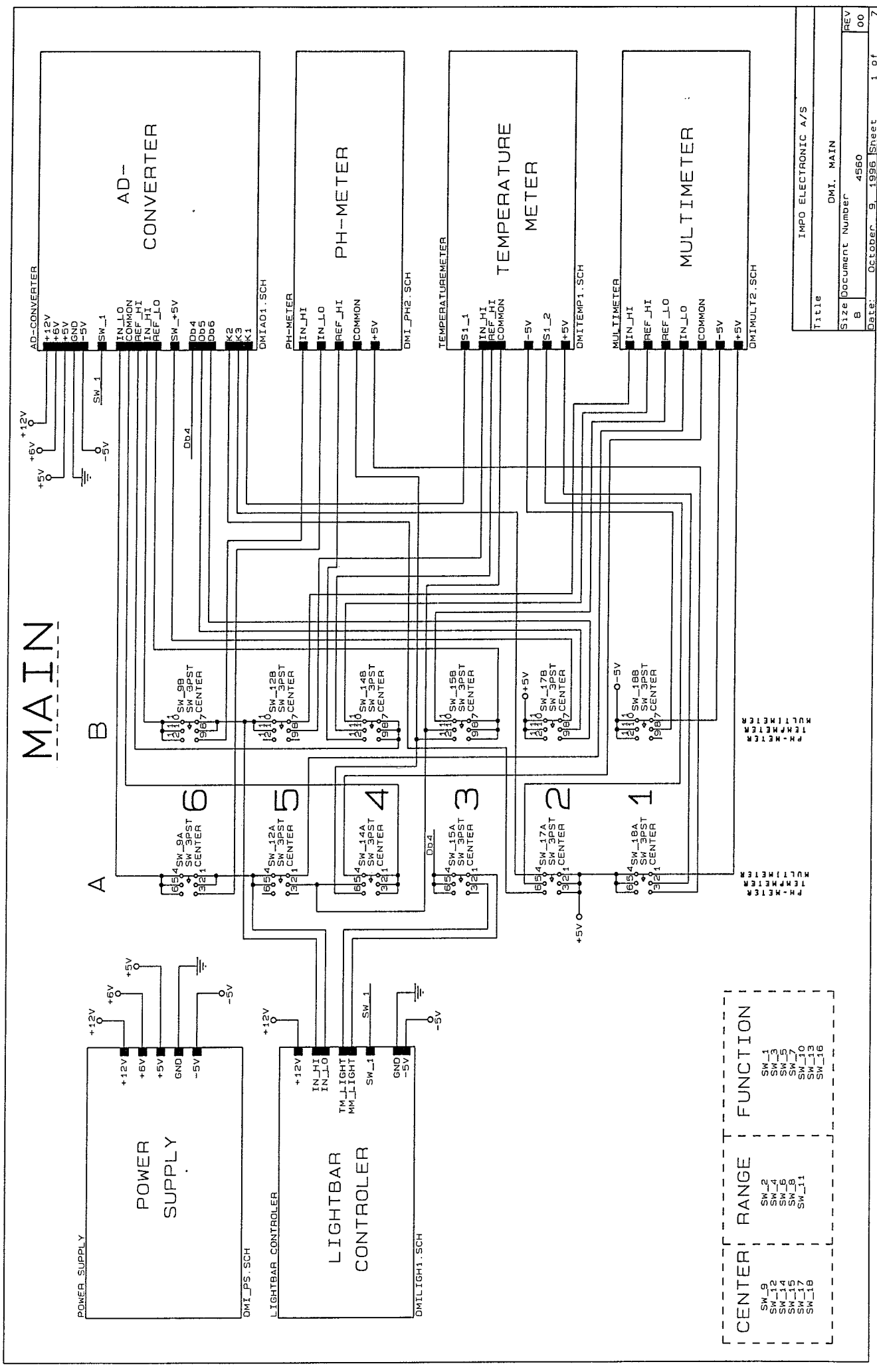
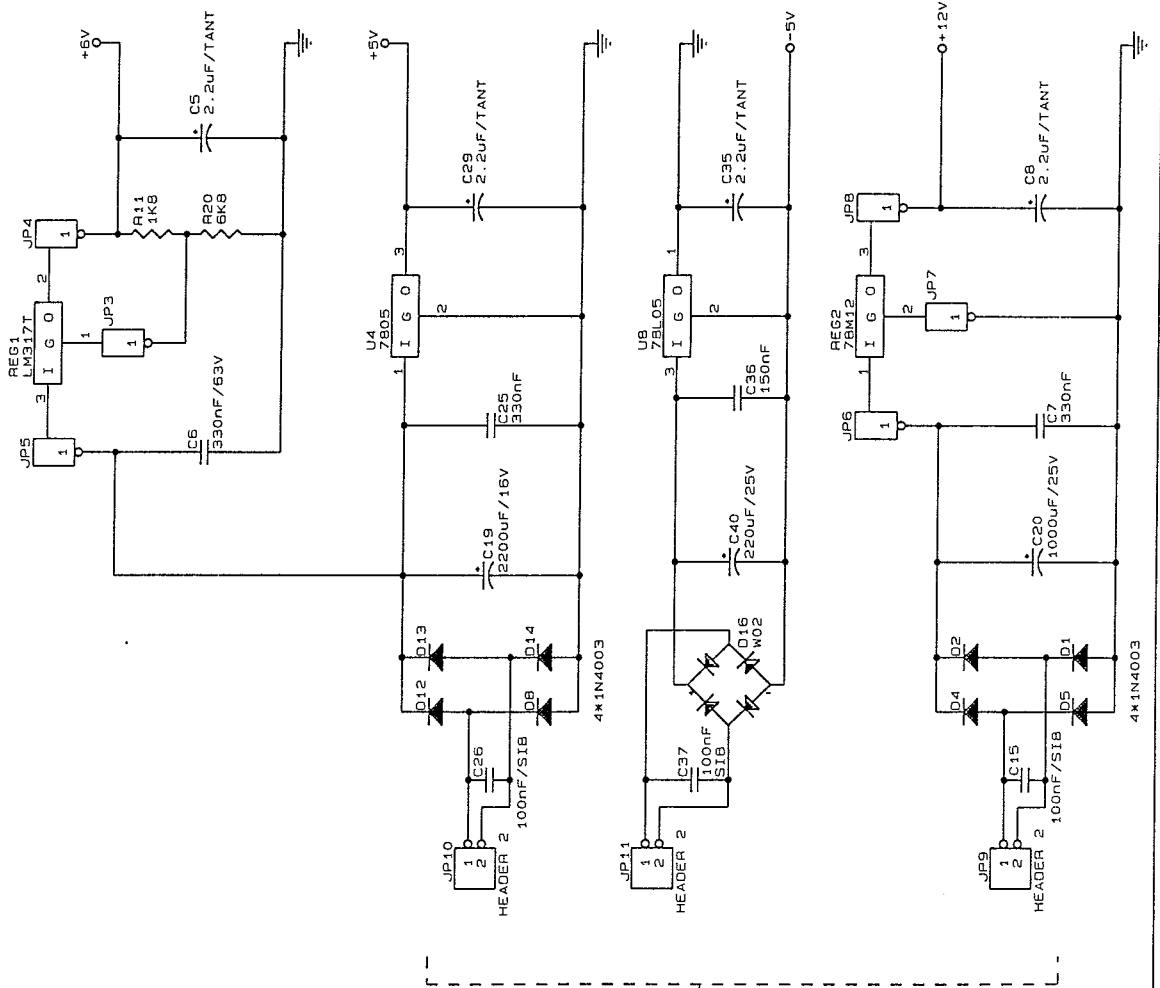


MAIN



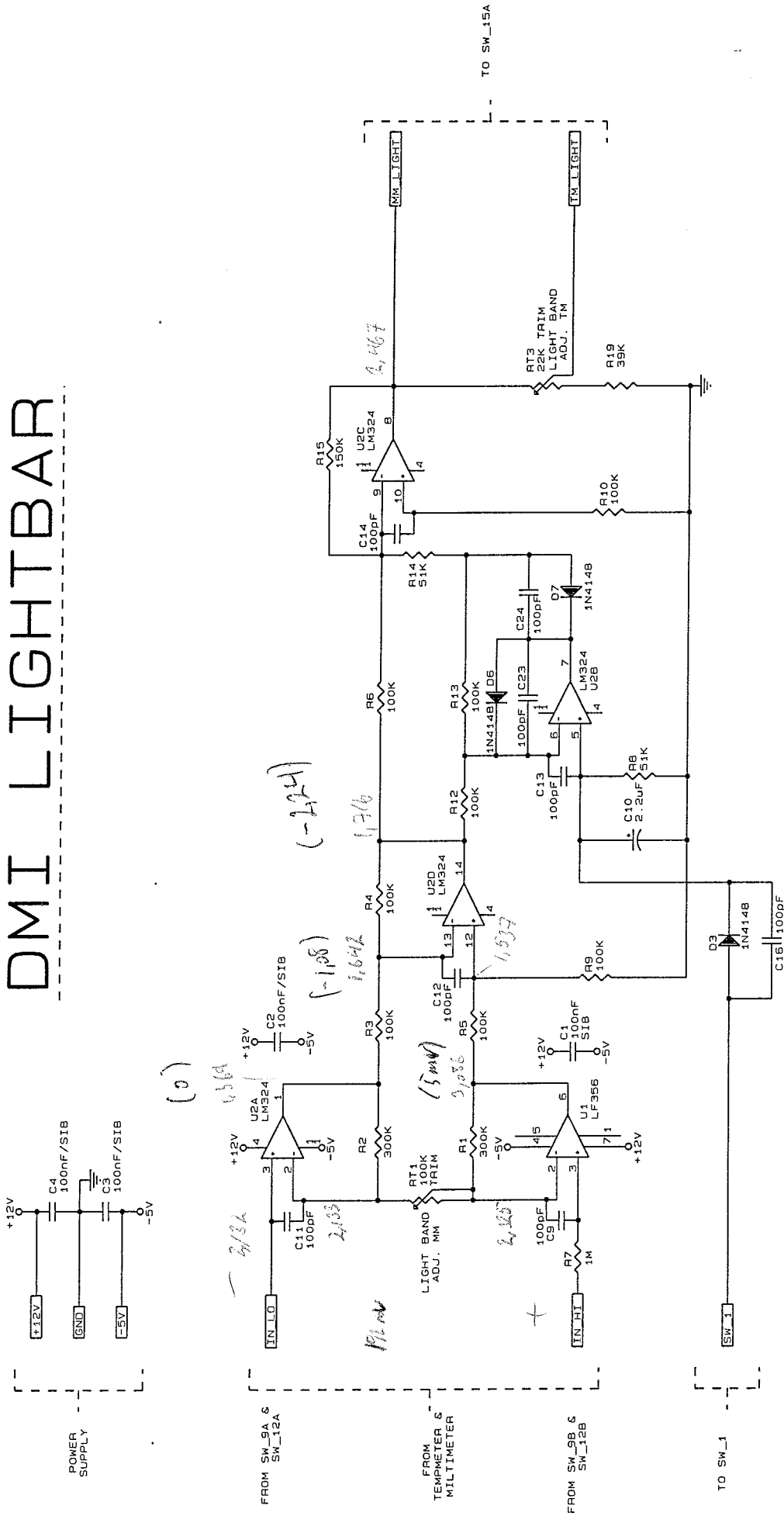
| CENTER | RANGE | FUNCTION |
|--------|-------|----------|
| SW_9 | SW_2 | SW_1 |
| SW_12 | SW_4 | SW_3 |
| SW_14 | SW_6 | SW_5 |
| SW_16 | SW_8 | SW_7 |
| SW_17 | SW_10 | SW_9 |
| SW_18 | SW_11 | SW_13 |
| | | SW_16 |

POWER SUPPLY



| | |
|-----------------|---------------------|
| Title | IMPO ELECTRONIC A/S |
| Size | B |
| Document Number | 4561 |
| REV | 00 |
| Date | October 9, 1996 |
| Sheet | 2 of 7 |

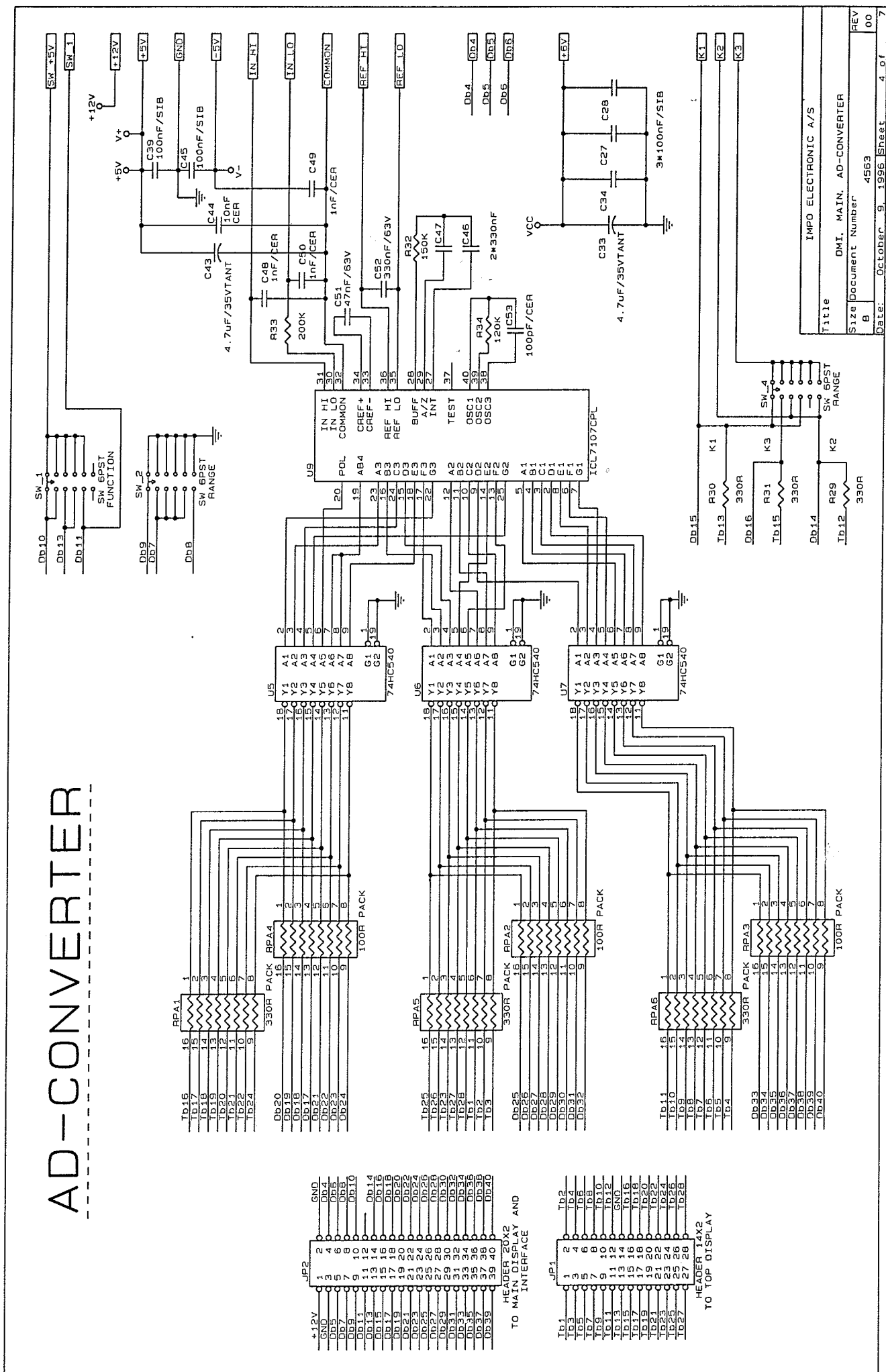
DMI LIGHTBAR



(see in design signal common)
(see in threshold)

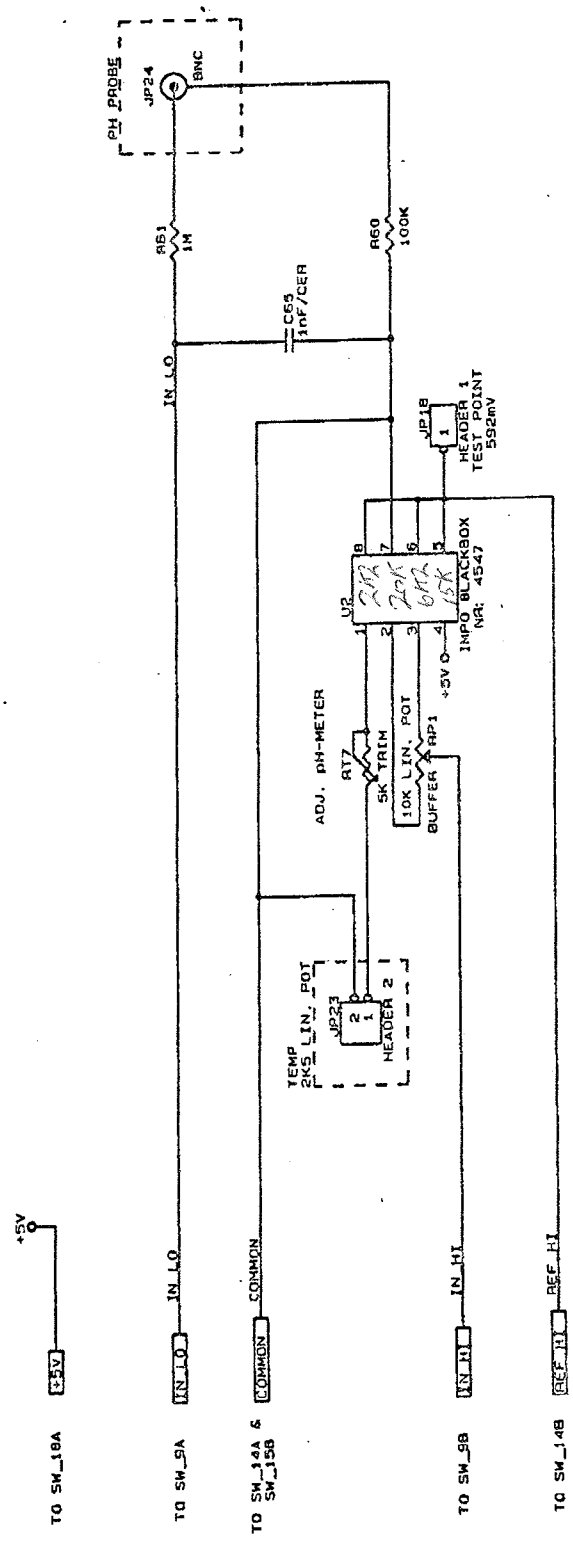
| | | |
|-----------------|-----------------|--------------------------------|
| Title | | IMPO ELECTRONIC A/S |
| Size | | DMI, MAIN, LIGHTBAR CONTROLLER |
| Document Number | | 4562 |
| REV | B | 00 |
| Date: | October 9, 1996 | Sheet 3 of 7 |

AD-CONVERTER



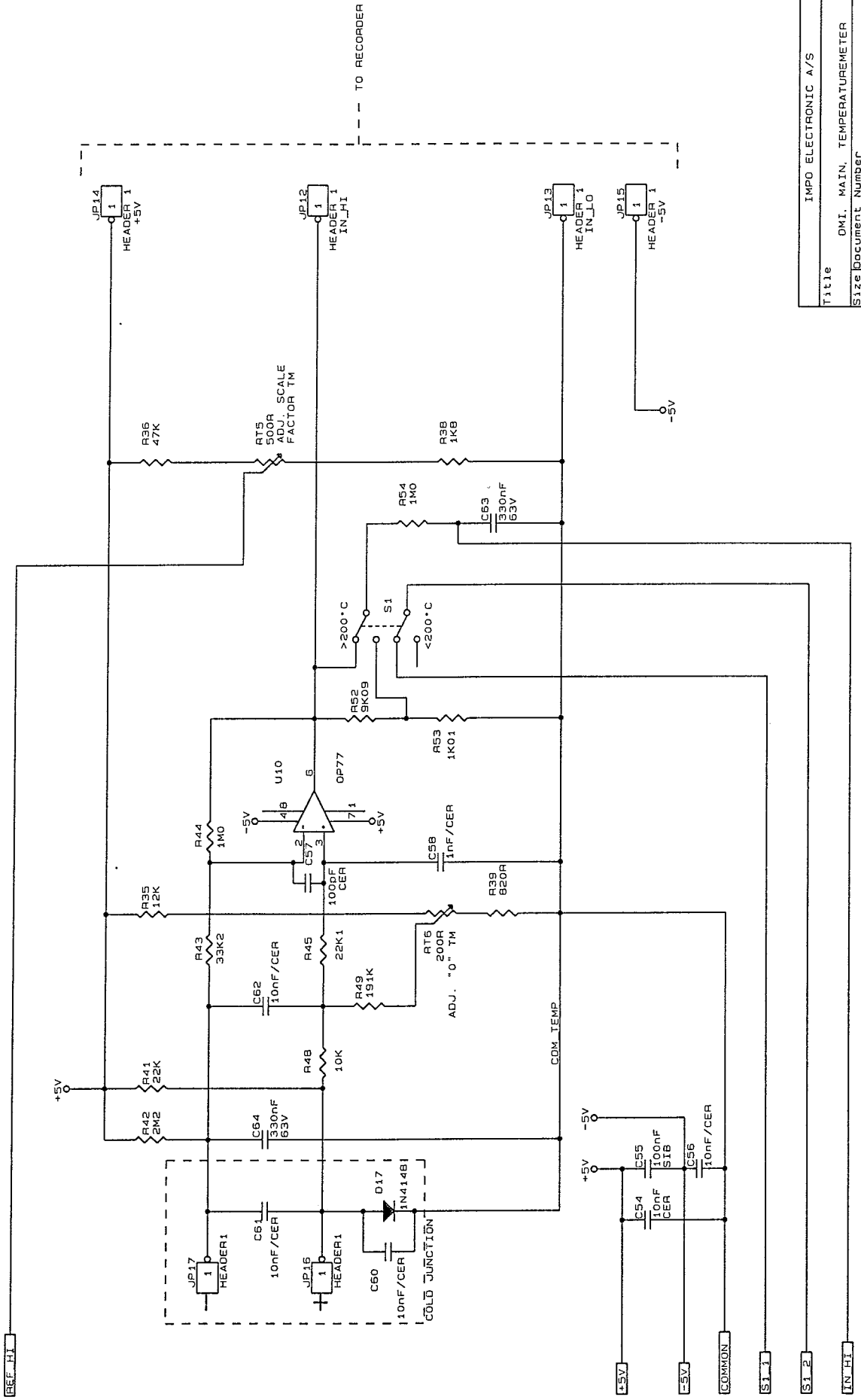
Att: Henrik

PH-METER



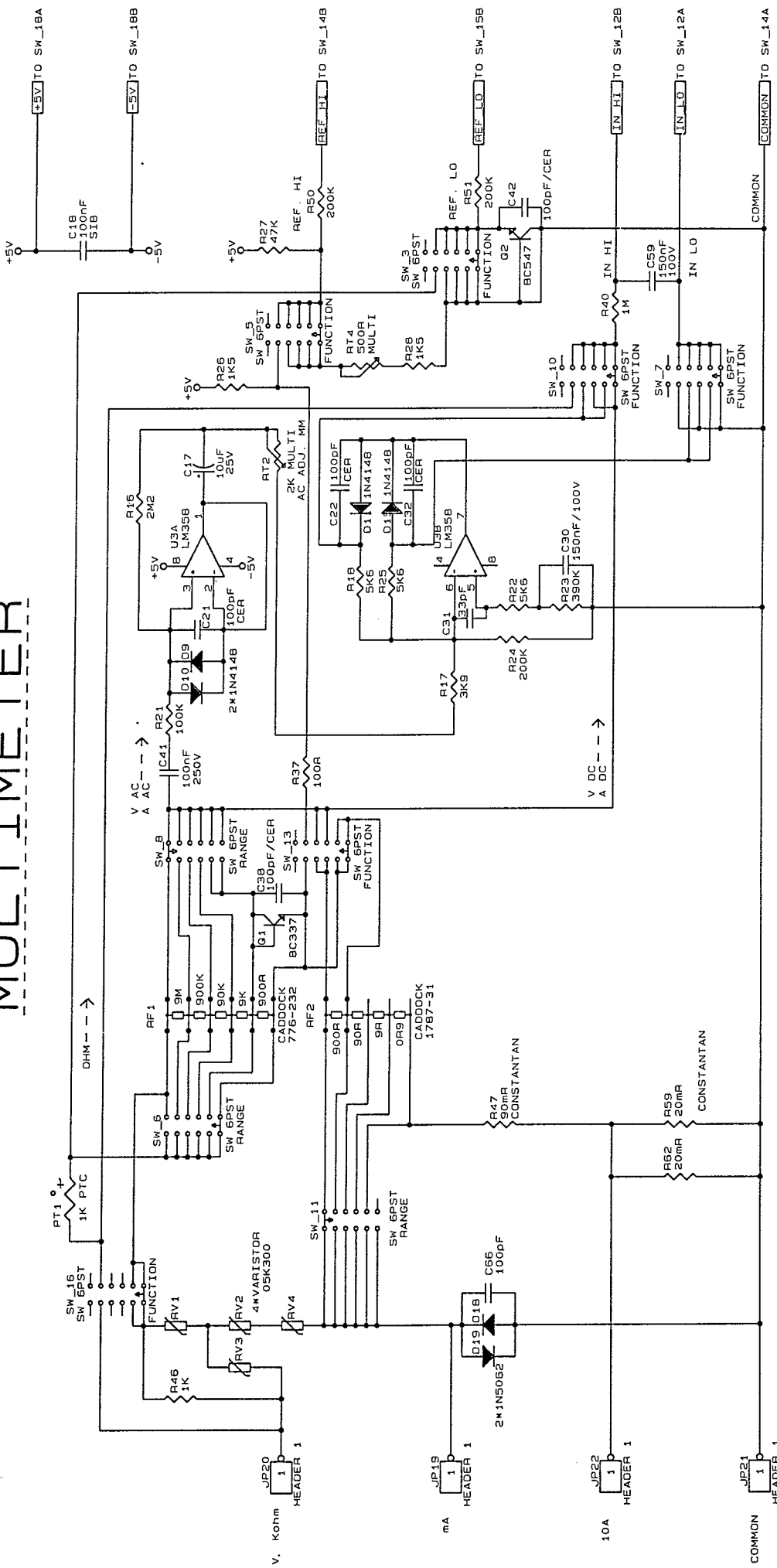
| | |
|---------------------|-----------------------|
| IMPO ELECTRONIC A/S | |
| Title | |
| DMT, MAIN, PH-METER | |
| Size | Document Number |
| B | 4564 |
| REV | 00 |
| 0010 | October 9, 1996 Sheet |
| | 5 of 7 |

TEMPERATUREMETER



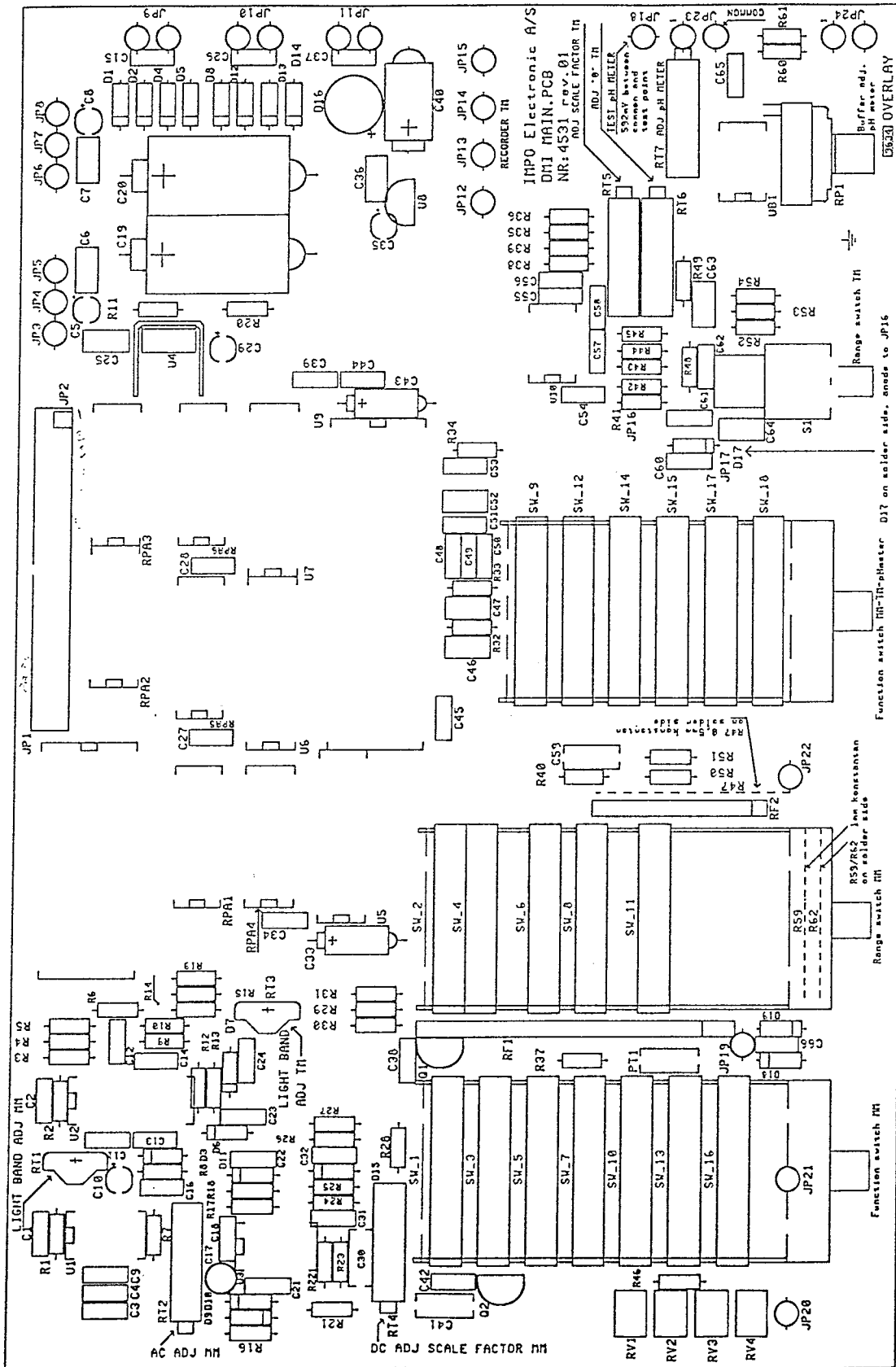
| | | | |
|-----------------|---|-----------------------------|-----------------|
| Title | | IMPO ELECTRONIC A/S | |
| Size | | DMI, MAIN, TEMPERATUREMETER | |
| Document Number | | 4565 | |
| REV | B | Date: | October 9, 1996 |
| | | Sheet | 5 of 7 |

MULTIMETER

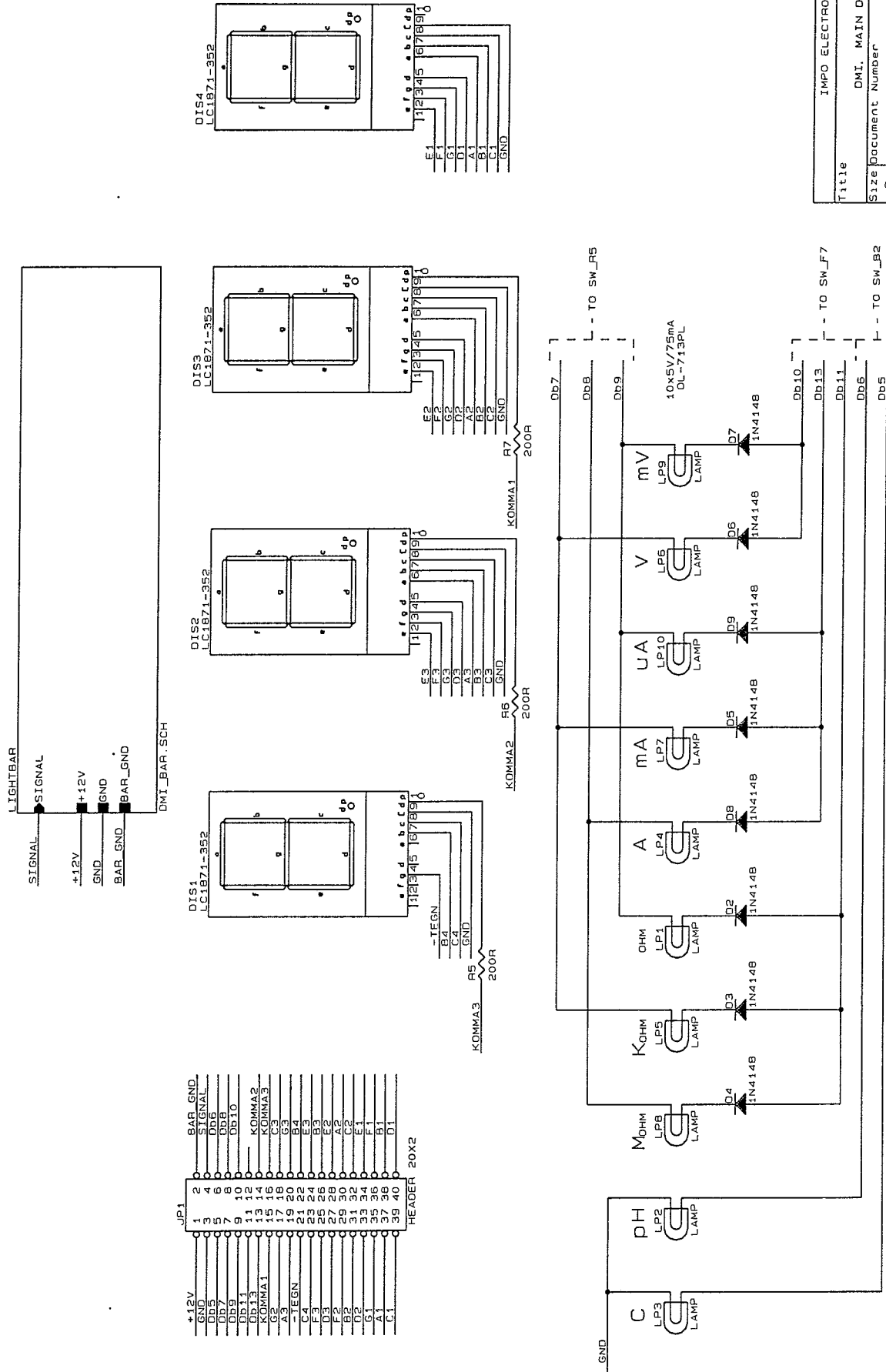


| RANGE | FUNCTION |
|---------|----------|
| 10A/30M | OHM |
| 2000 | A AC |
| 200 | A DC |
| 20 | V AC |
| 2 | V DC |
| Δ 200 | |

| | |
|---------------------|-----------------------------|
| IMPO ELECTRONIC A/S | |
| Title | DMI, MAIN, MULTIMETER |
| Size | Document Number 4566 |
| B | REV 00 |
| Date: | October_9_1996 Sheet 7 of 7 |



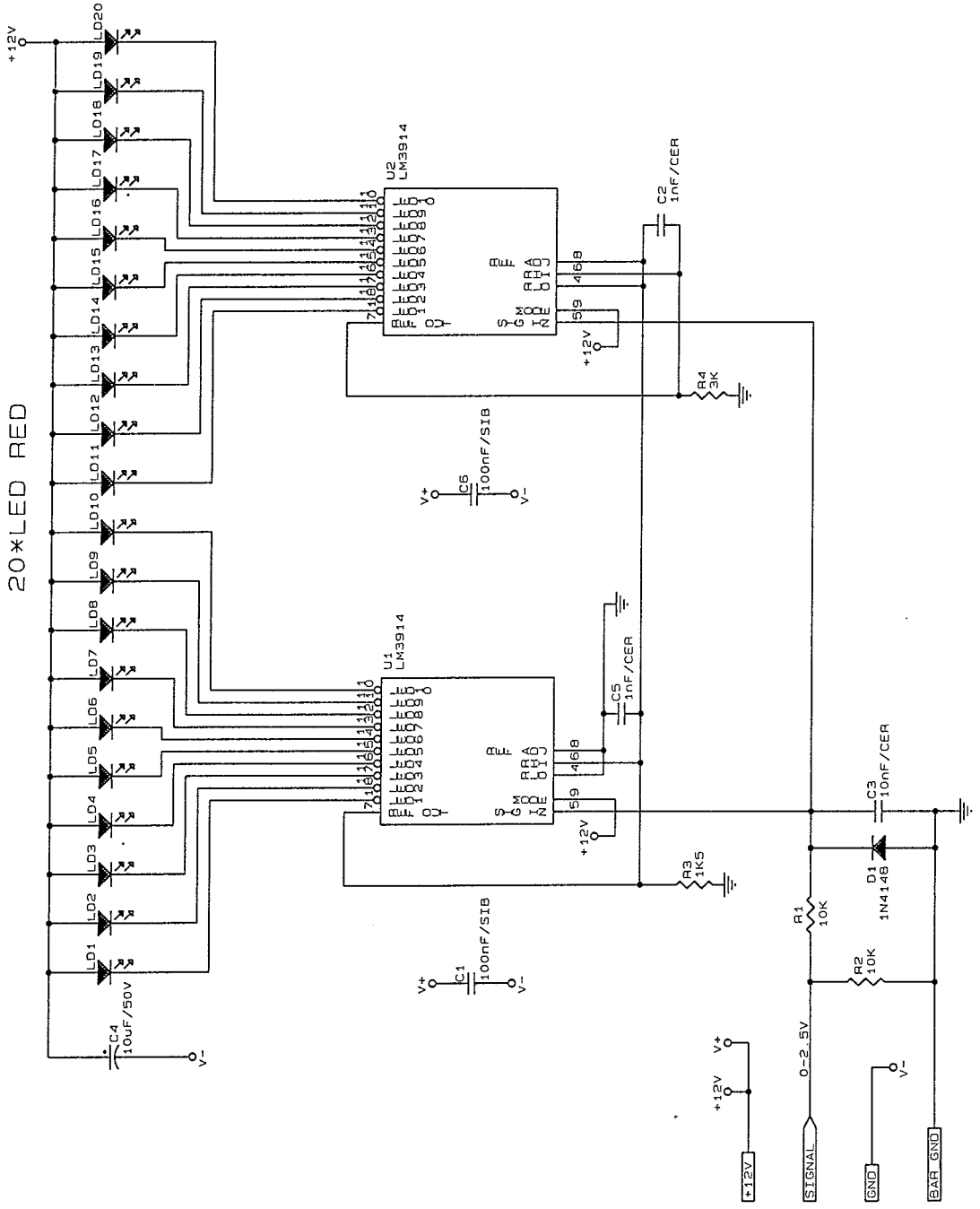
MAIN DISPLAY



| | |
|-----------------|---------------------|
| Title | IMPD ELECTRONIC A/S |
| Size | B |
| Document Number | 4525 |
| REV | 00 |
| Date: | October 3, 1996 |
| Sheet | 1 of 2 |

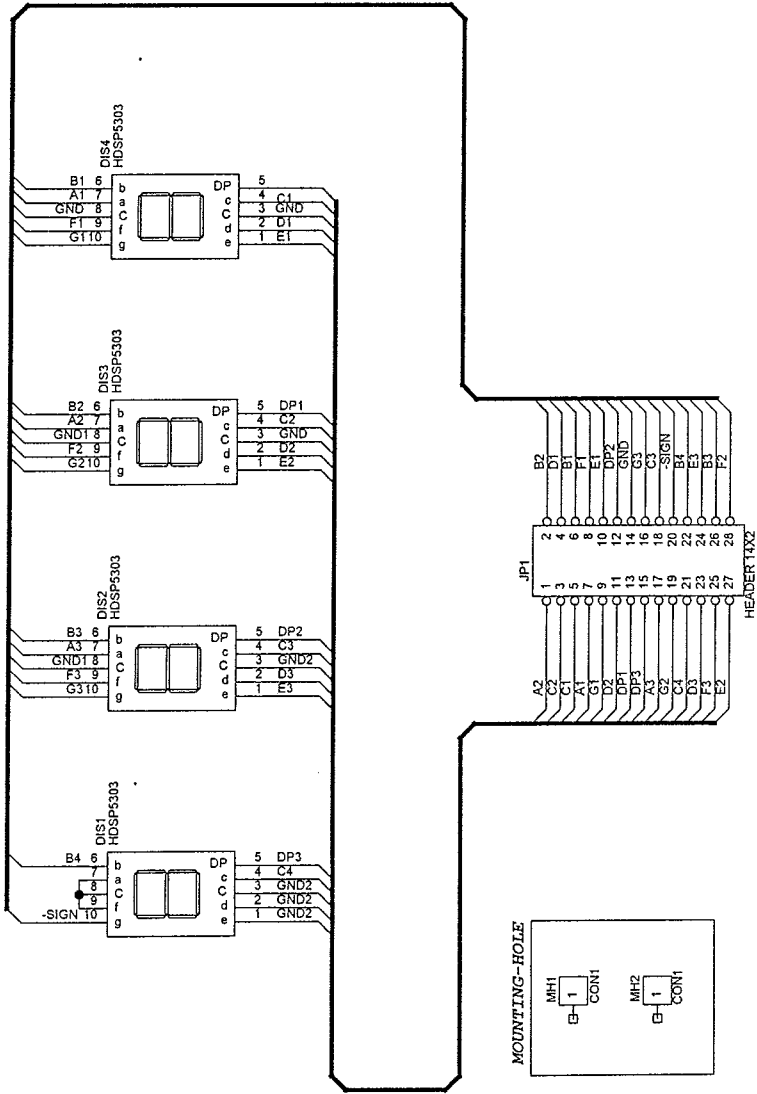
LIGHTBAR

20*LED RED



| | |
|---------------------|-----------------------------|
| IMPO ELECTRONIC A/S | |
| Title | DMI. MAIN DISPLAY, LIGHTBAR |
| Size | Document Number |
| B | 4526 |
| Date: | June 7, 1996 Sheet 2 of 2 |

TOP DISPLAY



| | | | |
|-------|-----------------|--------------------------|--------------|
| Title | | IMPO Electronic A/S | |
| Size | | DMI, TOP DISPLAY | |
| Rev | Document Number | 4559 | |
| B | Date: | Friday, October 11, 1996 | Sheet 1 of 1 |