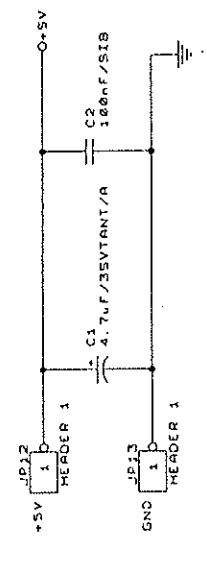
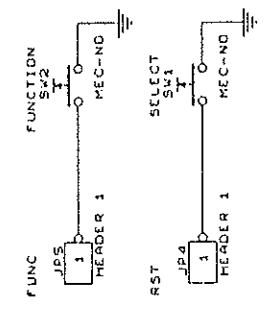
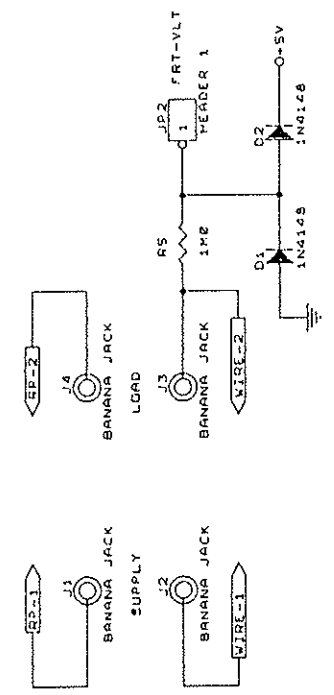
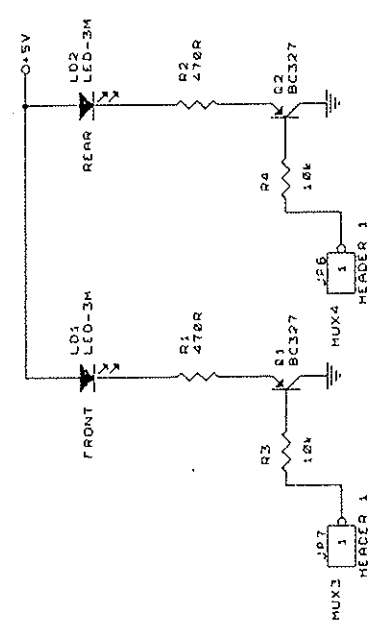
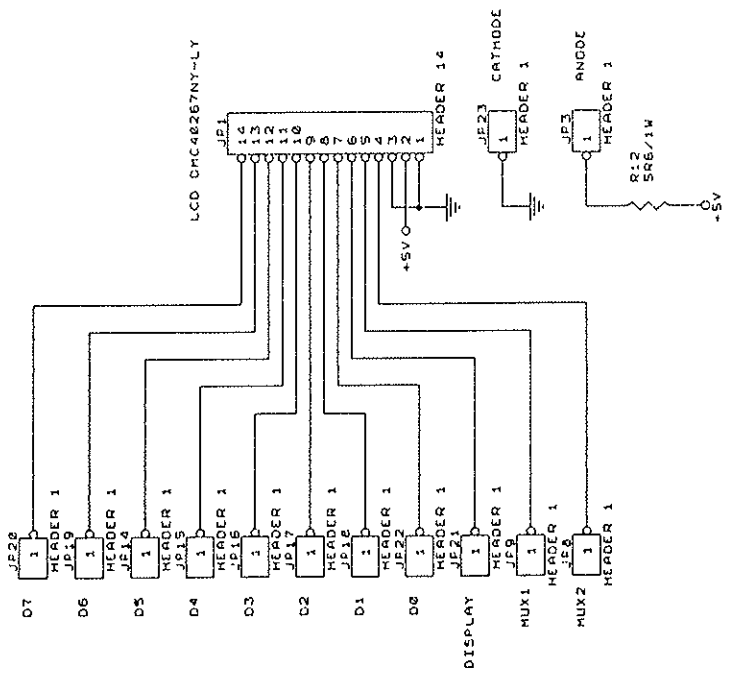
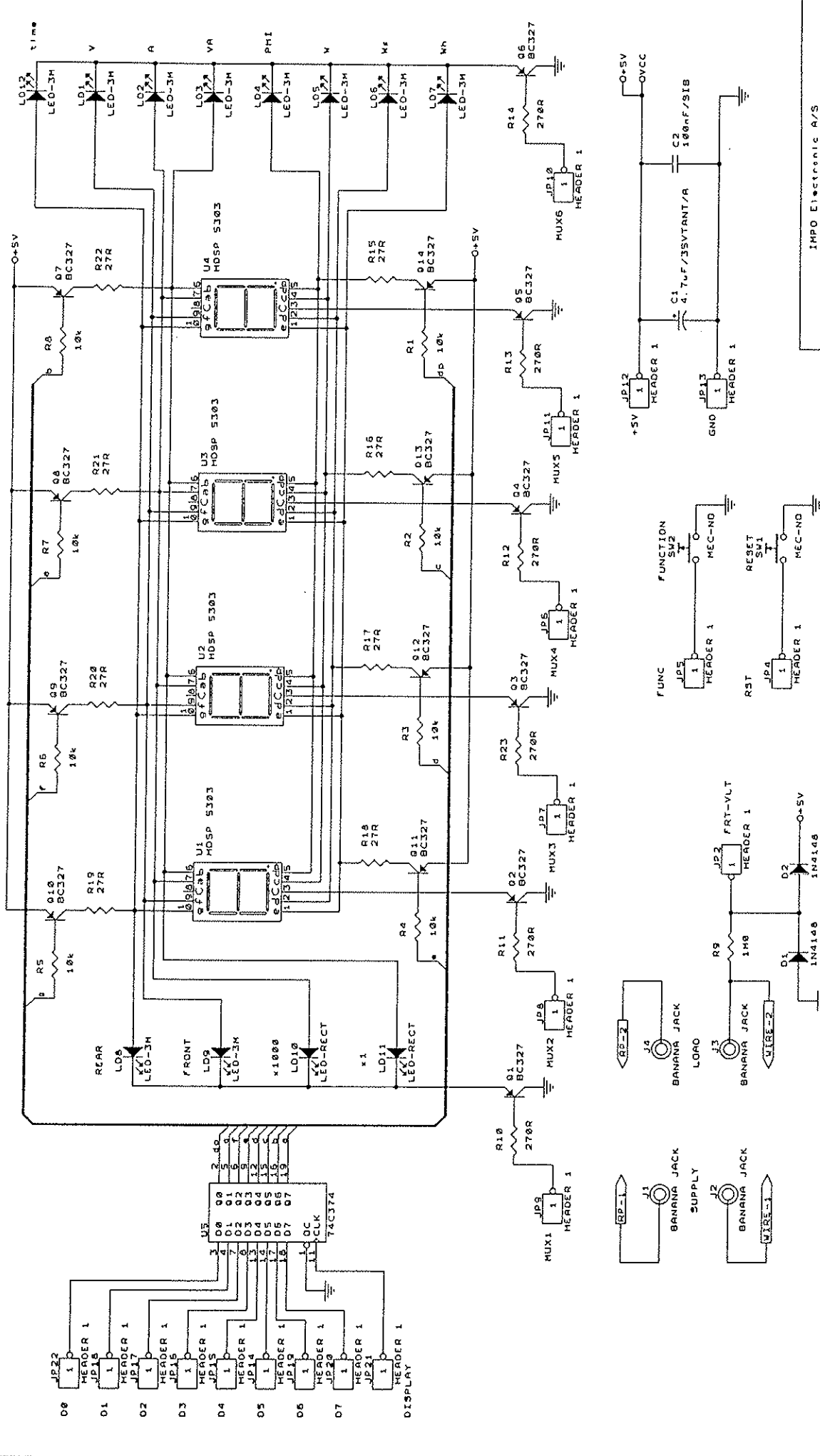


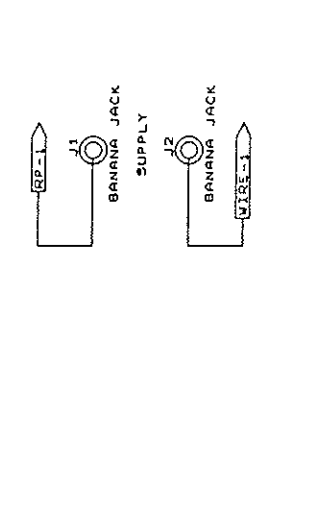
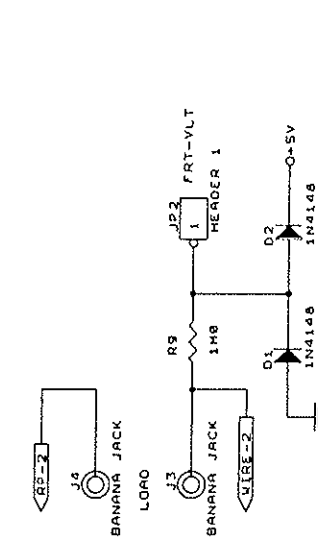
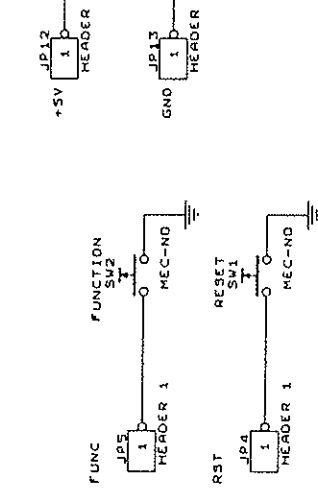
Title	IMPO Electronic A/S
Size	EMI, Top Schematic
Document Number	4859
REV	00
Date	March 25, 1992 Sheet 1 of 1

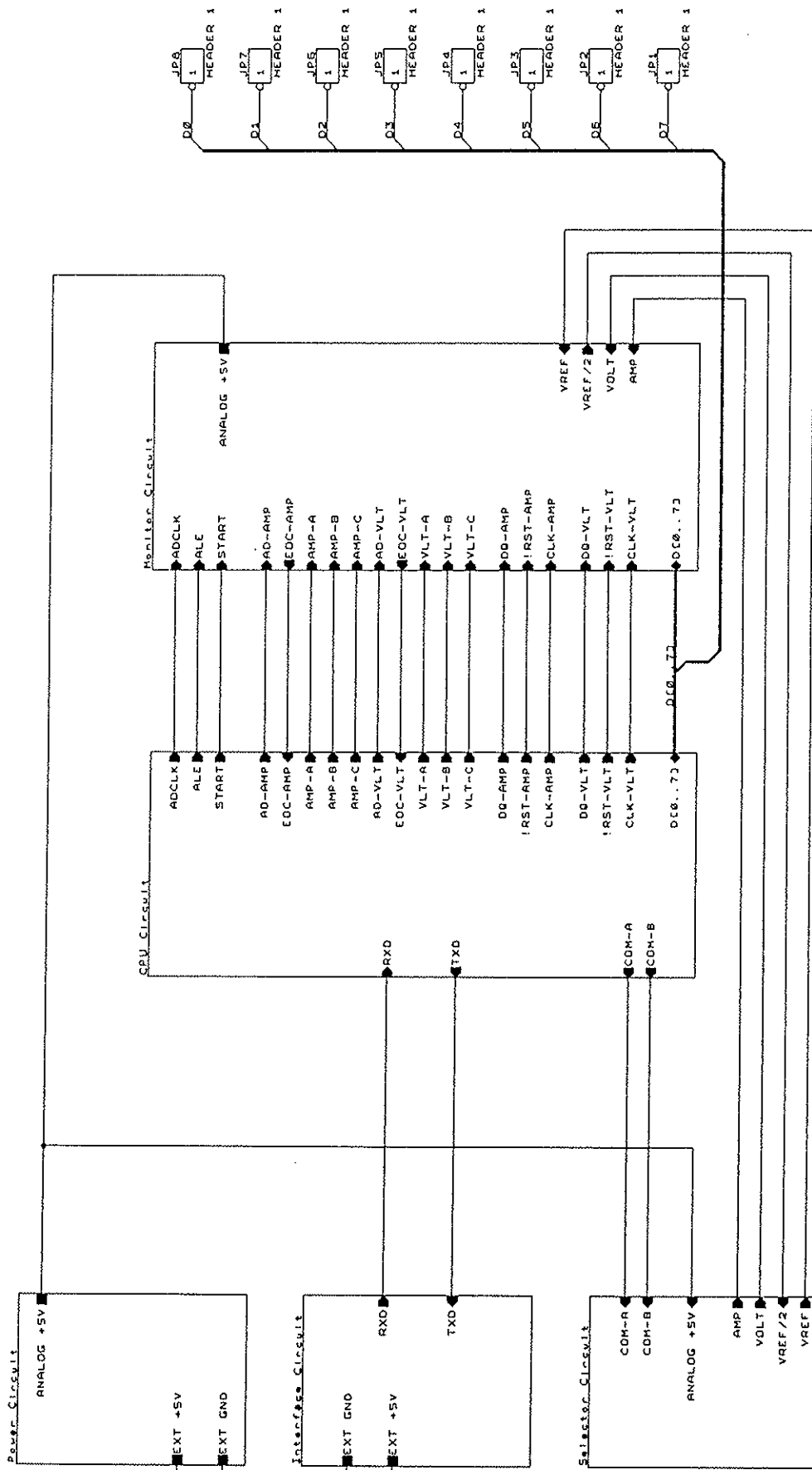


Title		IMPO Electronic A/S
Size		EMIE-Display PCB
Doc	Number	4075
Date	Rev	5. 1992
Page		1 of 1

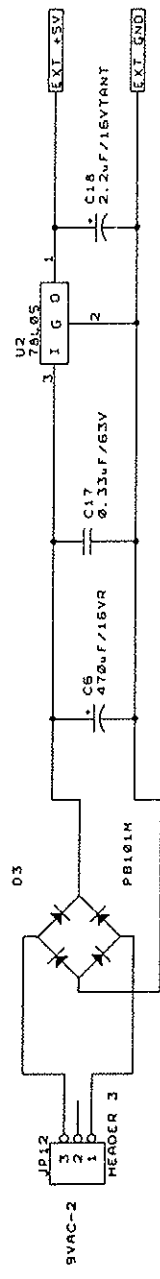
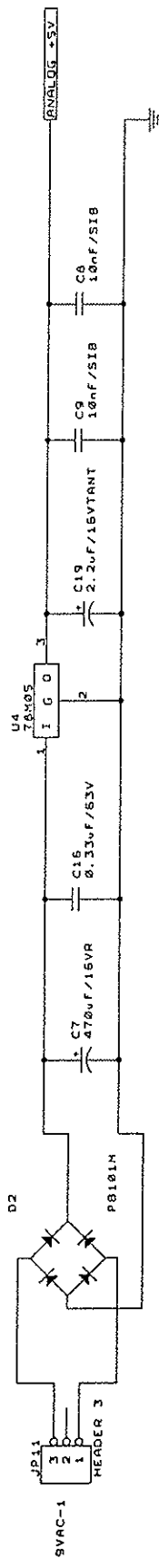
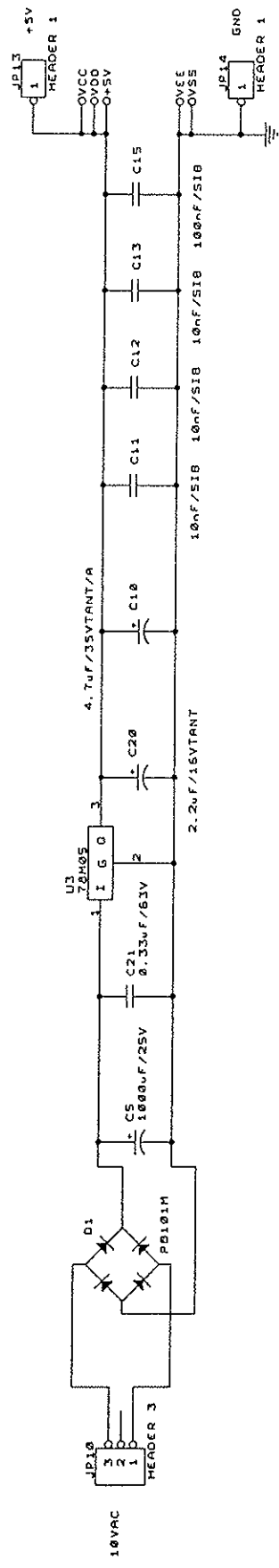


Title	IMPO Electronic A/S
Size	EMI, Display PCB
Doc. No.	4060
REV	00
Date	October 1, 1991

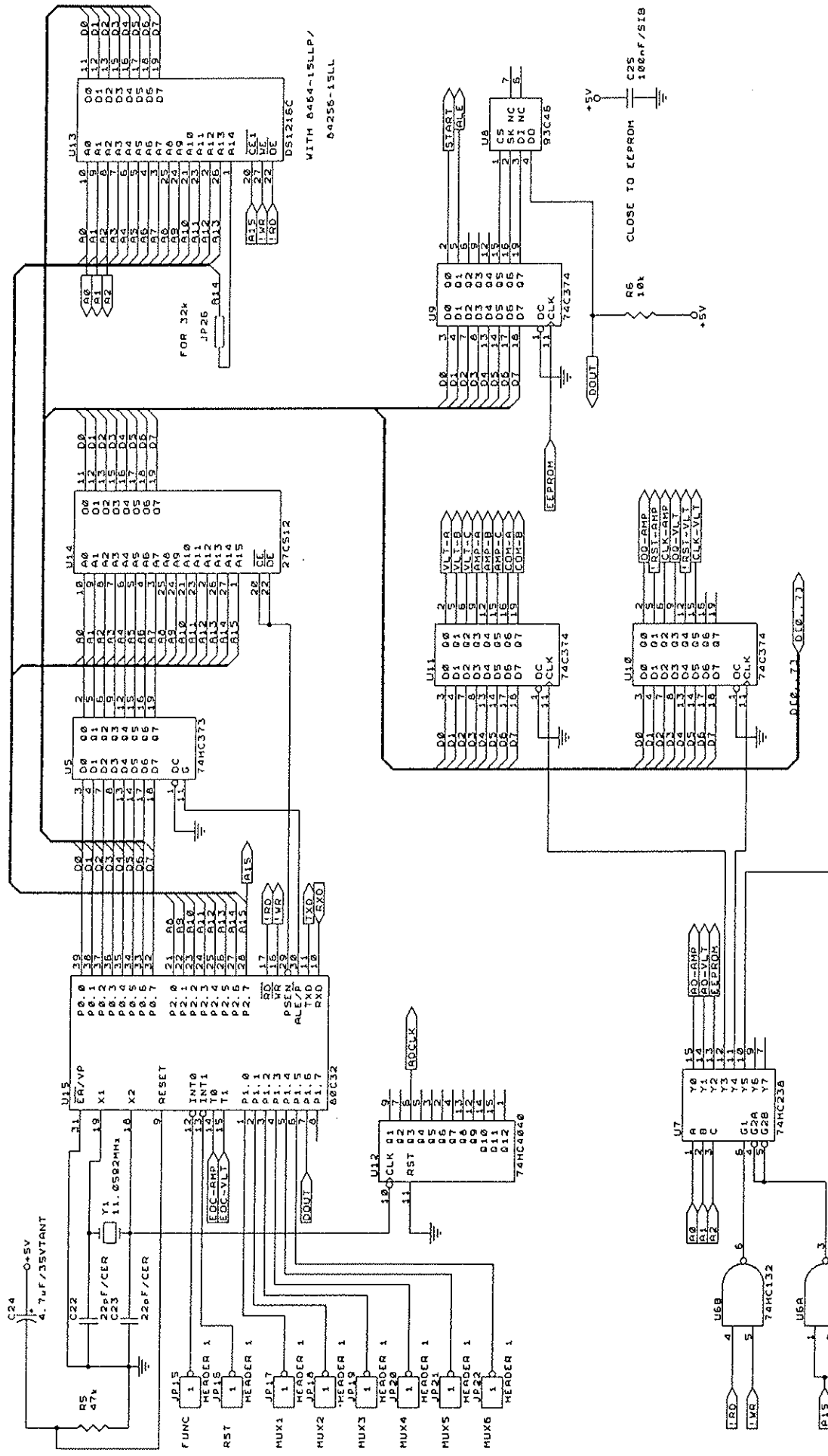




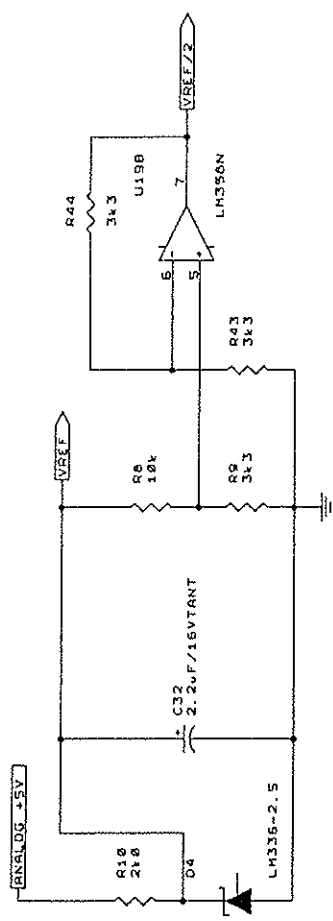
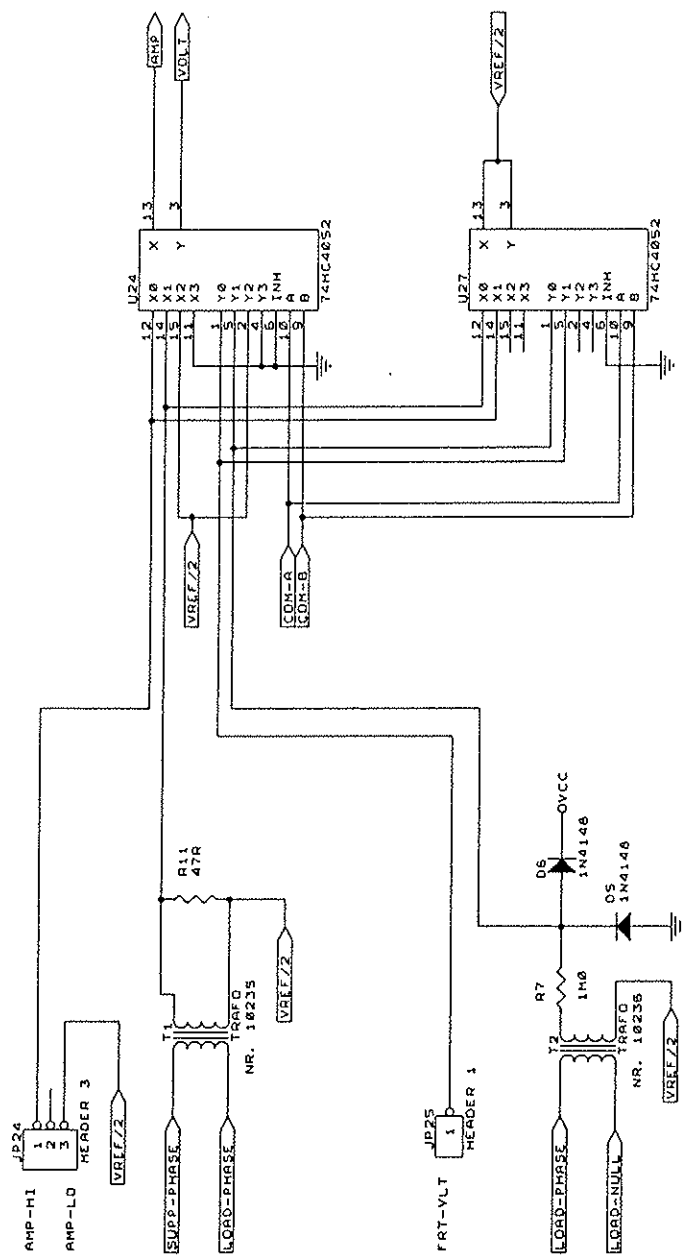
Title		IMPO Electronic R/S	
Size		EM1, Main PCB	
Document Number		4051	
REV	00	Date	October 1, 1991 Sheet 1 of 5



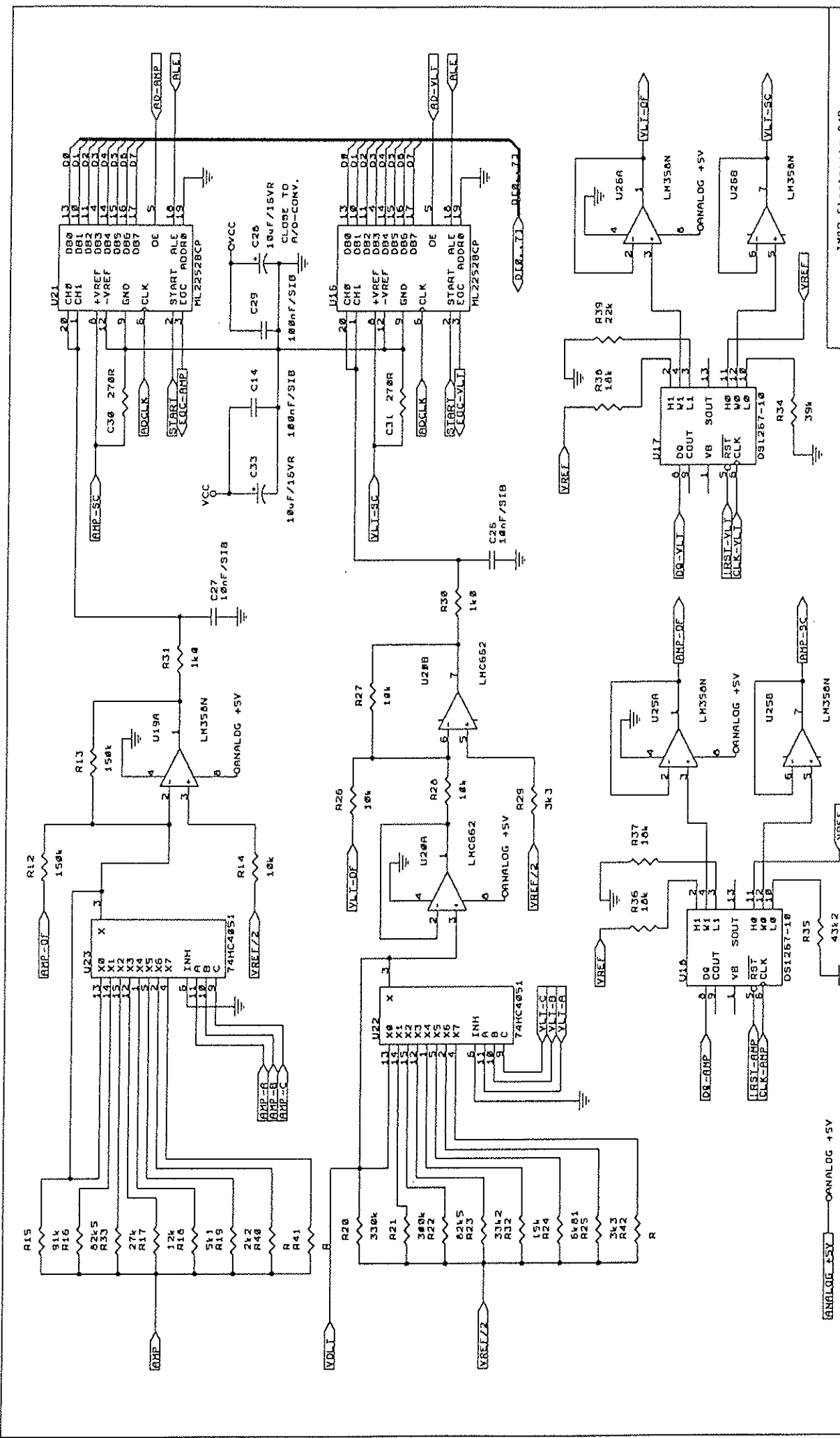
Title		IMPO Electronic A/S
Site		ENT. Main PCB. Power Circuit
Doc. No.	Doc. Rev.	4052 02
Date	Sheet	October 1, 1991 2 of 5



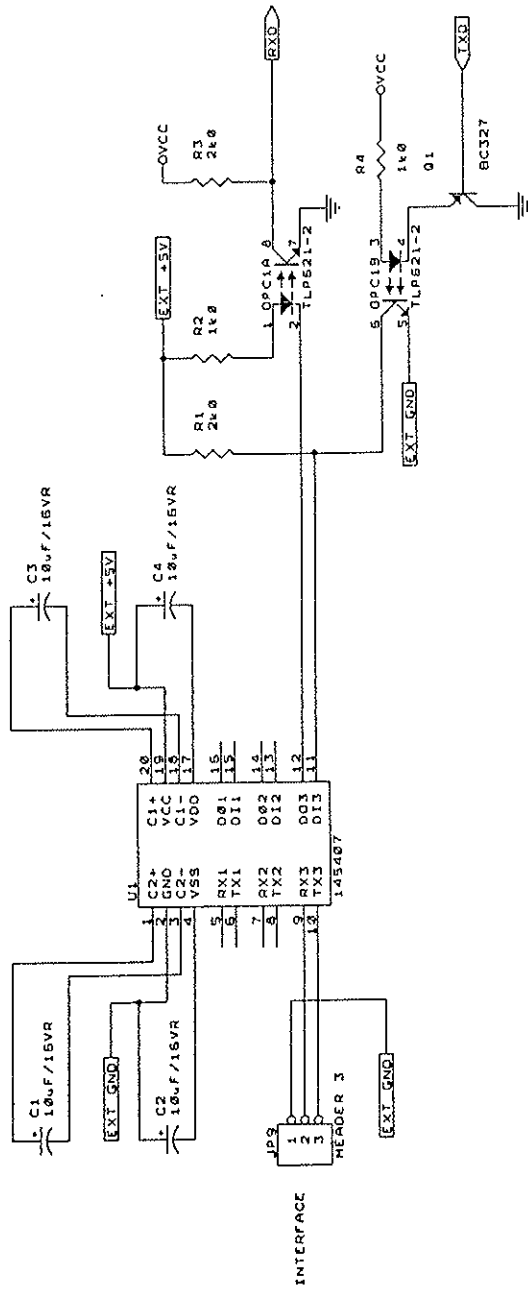
Title: IMPO Electronic A/S
 Size: Document Number 4663
 Date: October 1, 1991 Sheet 3 of 6



Title		IMPO Electronic A/S
Size		EM1. Main PCB, Selector Circuit
Document Number		4054
REV	80	
Sheet	1	1991 Sheet 4 of 6



Title IMPD Electronic A/9
 Size Document Number 4865
 Date: Mac, Feb 25, 1992 Sheet 5 of 5



IMPO Electronic A/S

Title		EM1, Main PCB, Interface Circuit
Size		Document Number 4865
Date		November 24, 1992
Sheet		5 of 5