

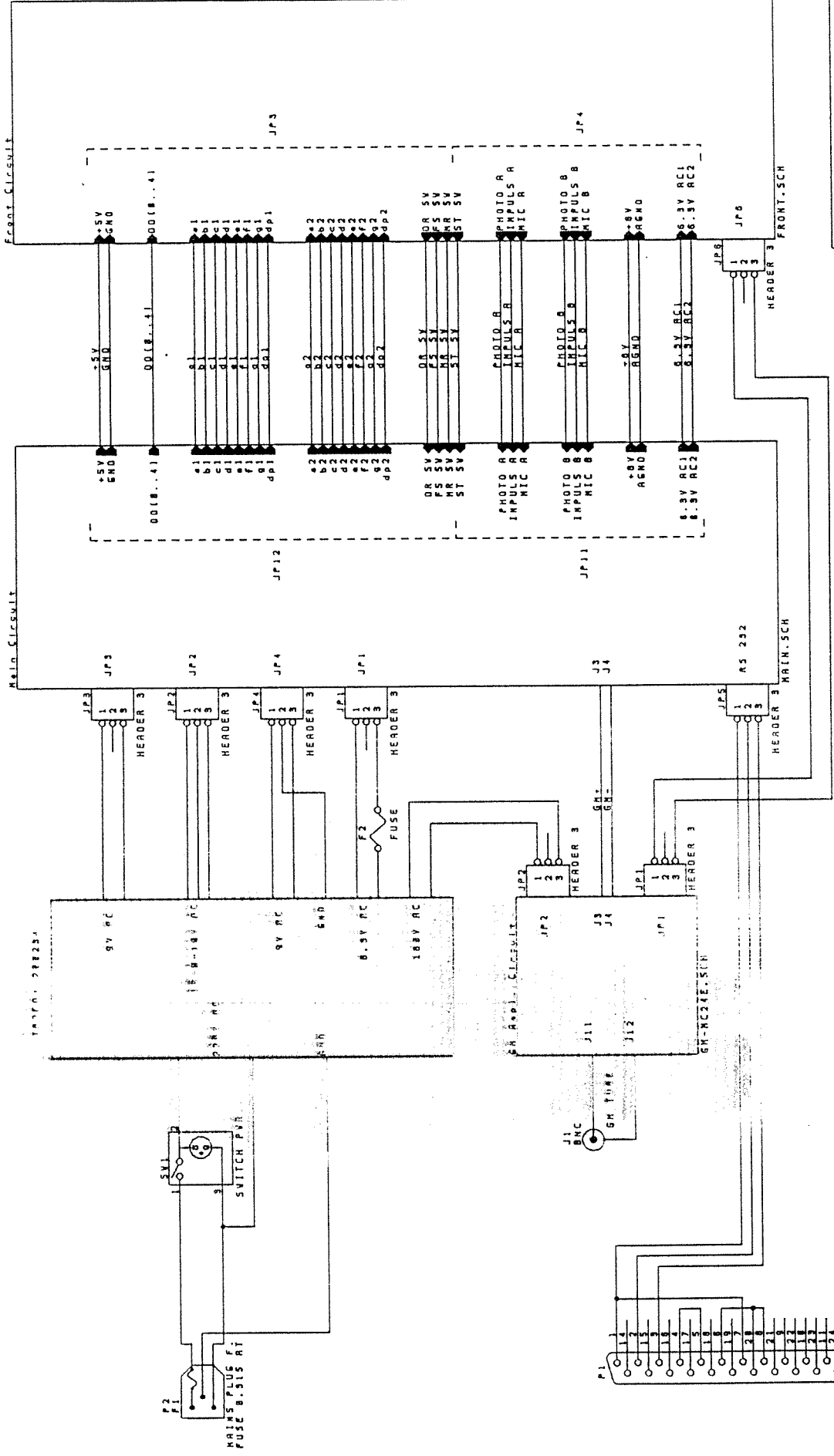
C O U N T E R

M C 2 4 E

Rev. 01

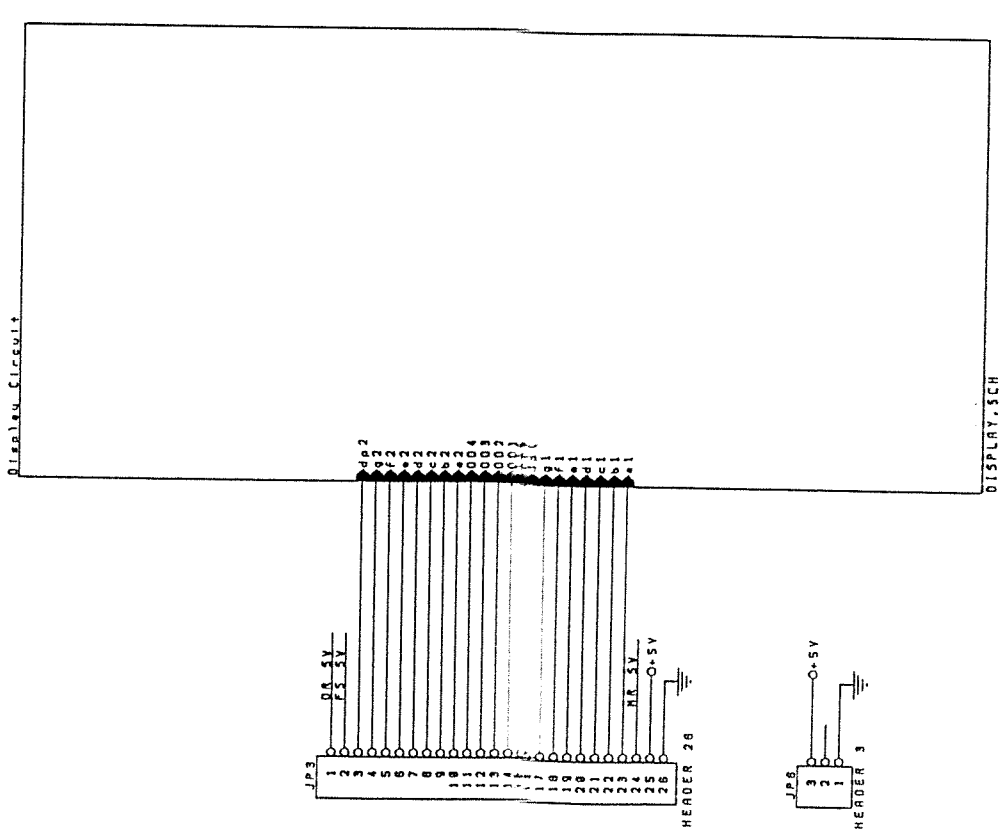
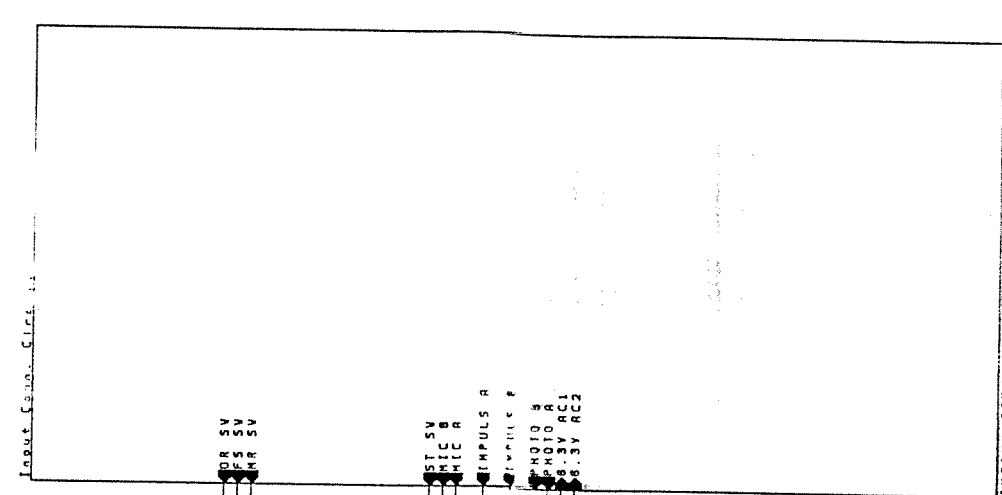
IMPO Electronic A/S

Vagtelvej 1-3
5100 Odense C
DK Denmark
TLF. 66131409



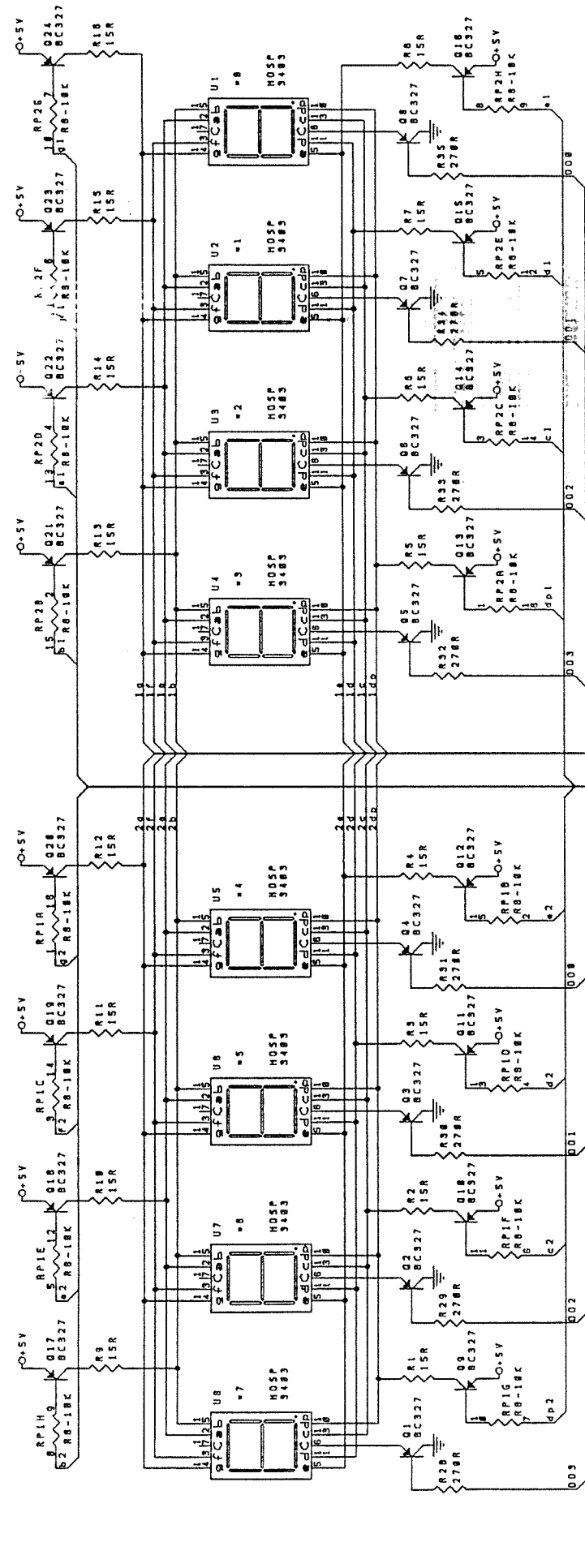
Title		IMPO Electronic R/S	
Size		MC 24E, Top Schematic	
REV	8	4898	
Sheet	1	of	1

+5V GND
 0018...41
 01
 02
 03
 04
 05
 06
 07
 08
 09
 10
 11
 12
 13
 14
 15
 16
 17
 18
 19
 20
 21
 22
 23
 24
 25
 26
 27
 28
 29
 30
 31
 32
 33
 34
 35
 36
 37
 38
 39
 40
 41
 42
 43
 44
 45
 46
 47
 48
 49
 50
 51
 52
 53
 54
 55
 56
 57
 58
 59
 60
 61
 62
 63
 64
 65
 66
 67
 68
 69
 70
 71
 72
 73
 74
 75
 76
 77
 78
 79
 80
 81
 82
 83
 84
 85
 86
 87
 88
 89
 90
 91
 92
 93
 94
 95
 96
 97
 98
 99
 100

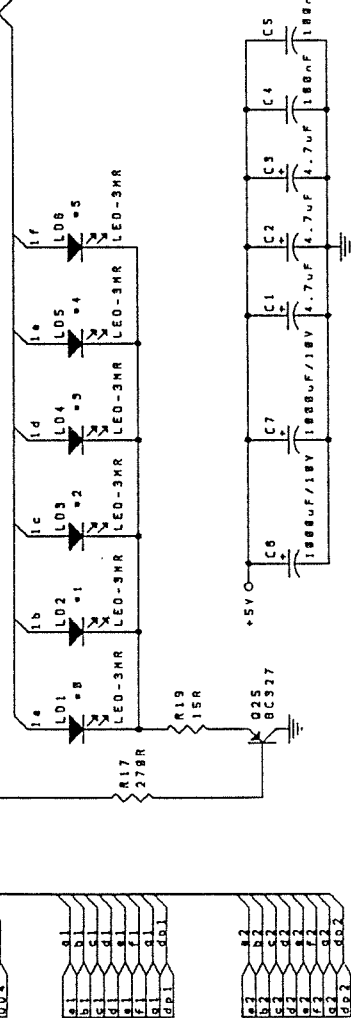


DISPLAY 7-4

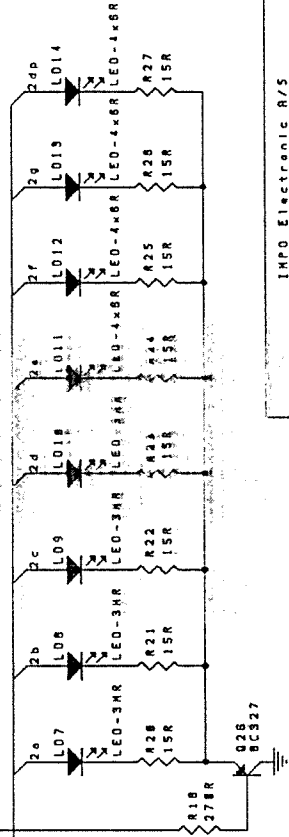
DISPLAY 3-0



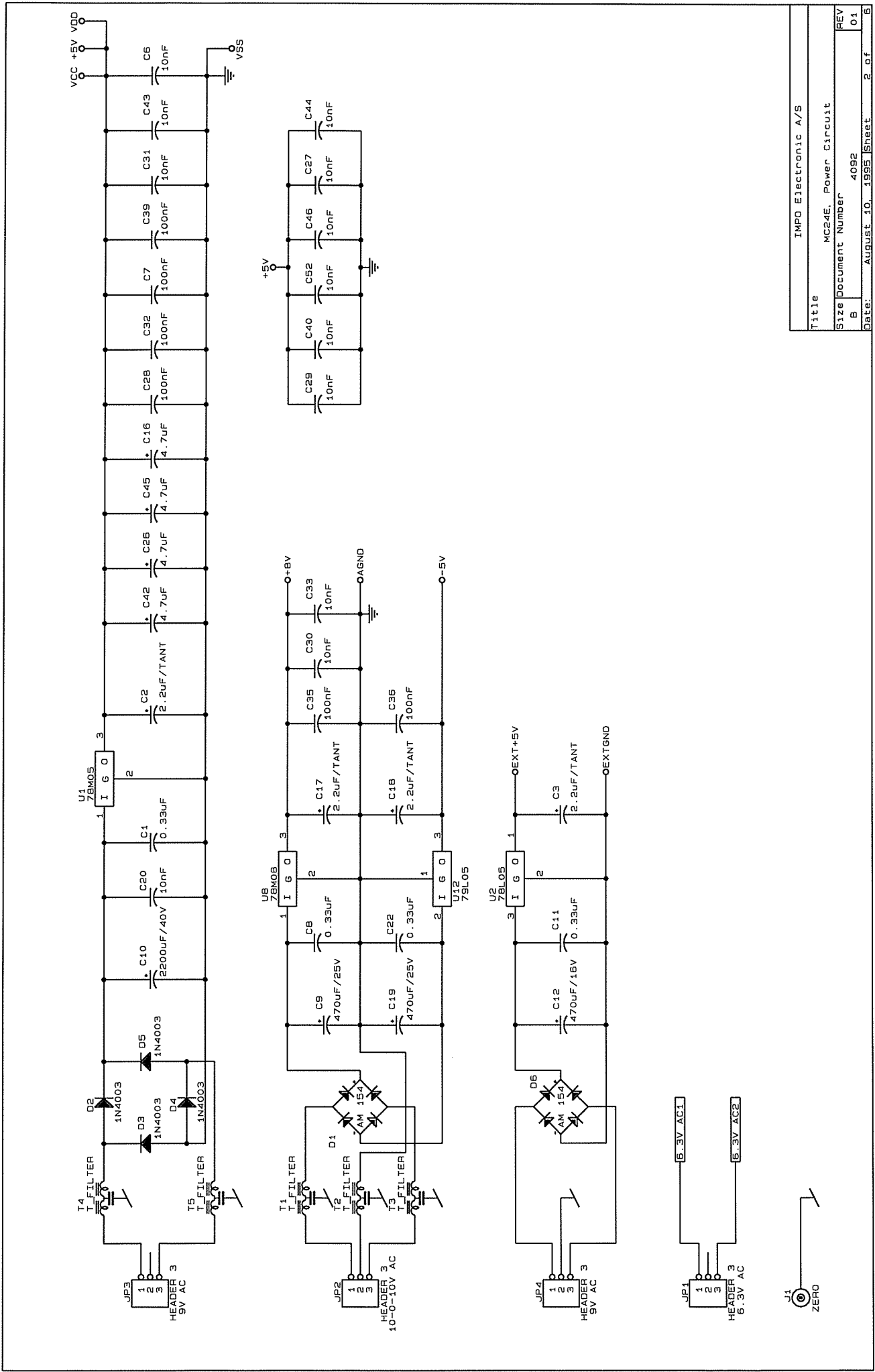
MODE SELECT



RESULT LED



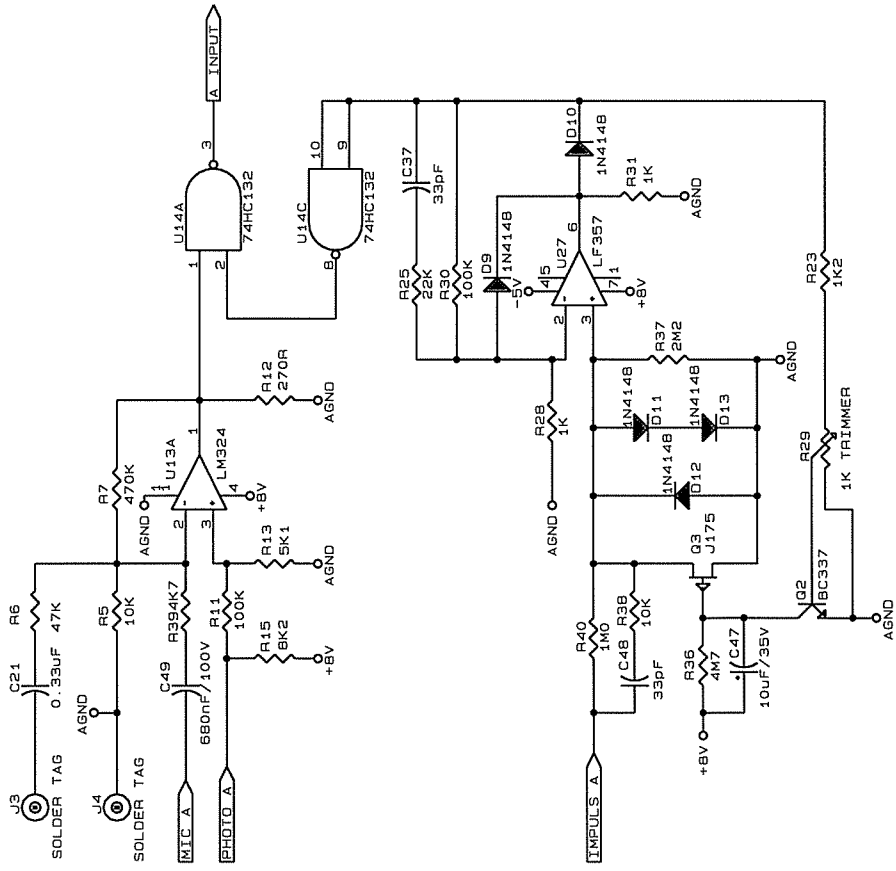
File	INPO Electronic R75
Part	MC 24E, Display Circuit
Part	4898
Revision	REV
Sheet	81
Page	2 of 3



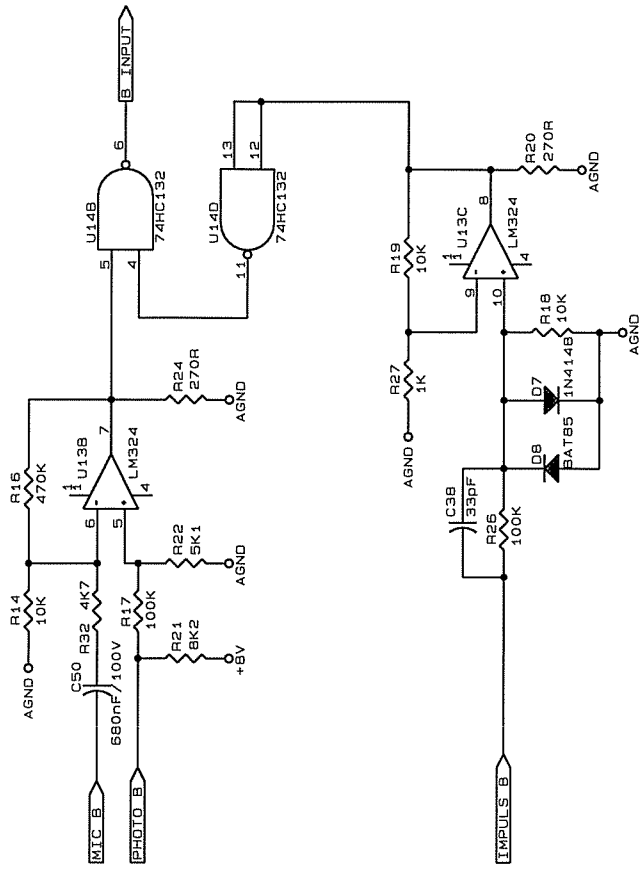
Title		IMPO Electronic A/S
Size		MC24E, Power Circuit
REV	Document Number	4092
B	Date:	August 10, 1985
01	Sheet	2 of 6



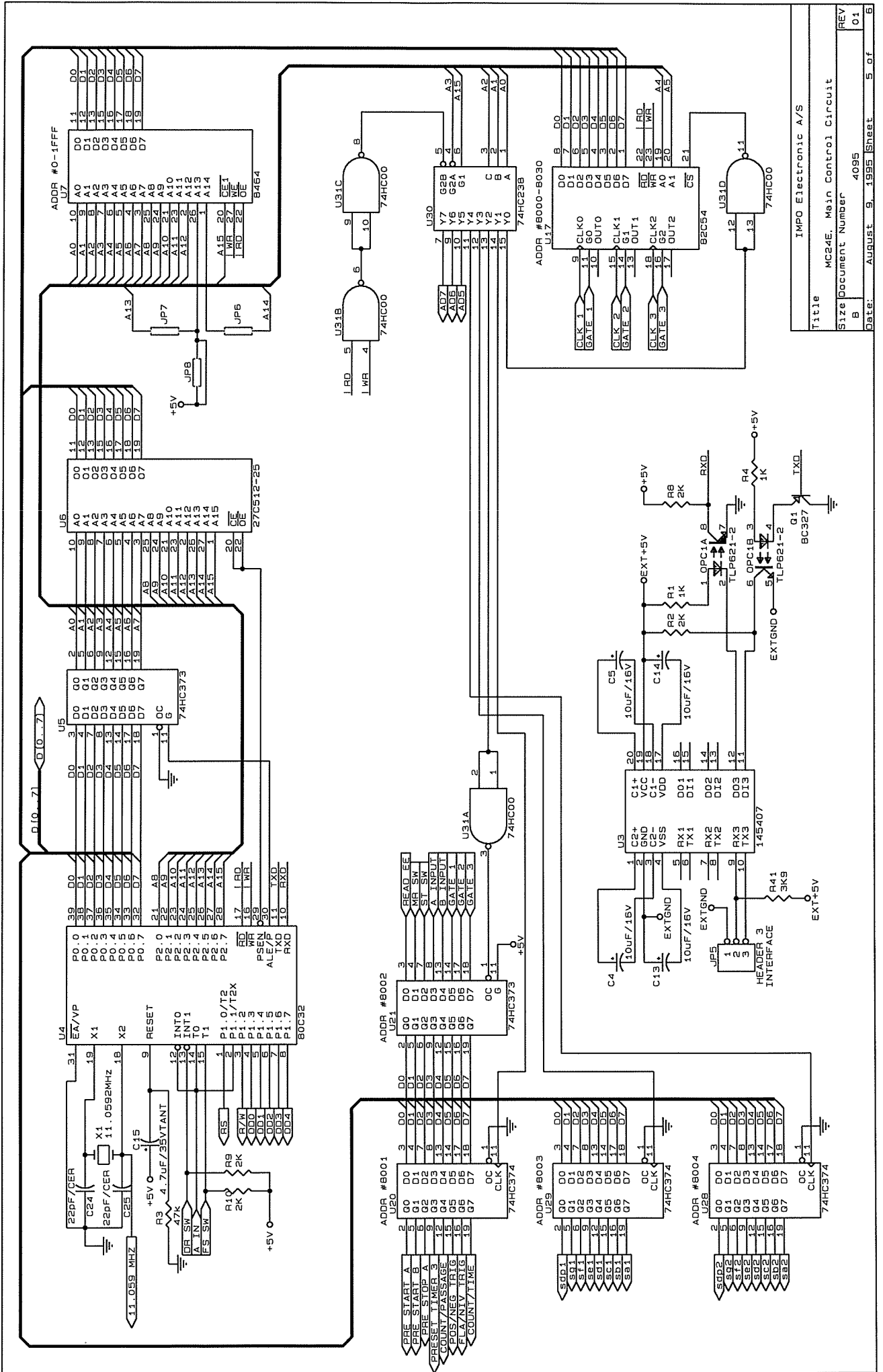
INPUT A

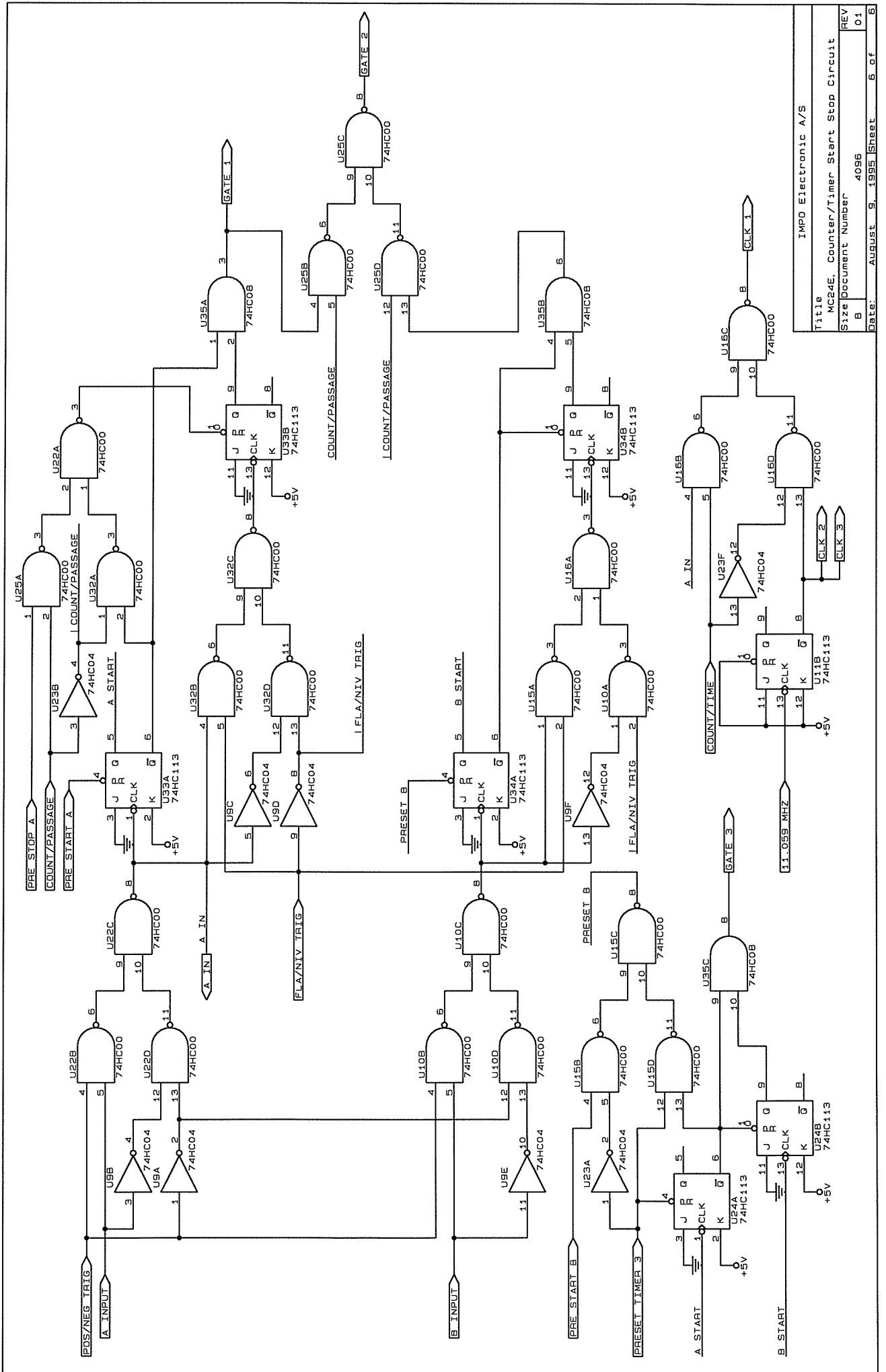


INPUT B



IMPO Electronic A/S	
Title	MC24E, Input Circuit
Size	Document Number 4094
REV	01
Date:	August 9, 1995
Sheet	4 of 6





IMPO Electronic A/S	
Title	MC24E, Counter/Timer Start Stop Circuit
Size	Document Number 4096
REV	01
Date:	August 9, 1995
Sheet	6 of 6