
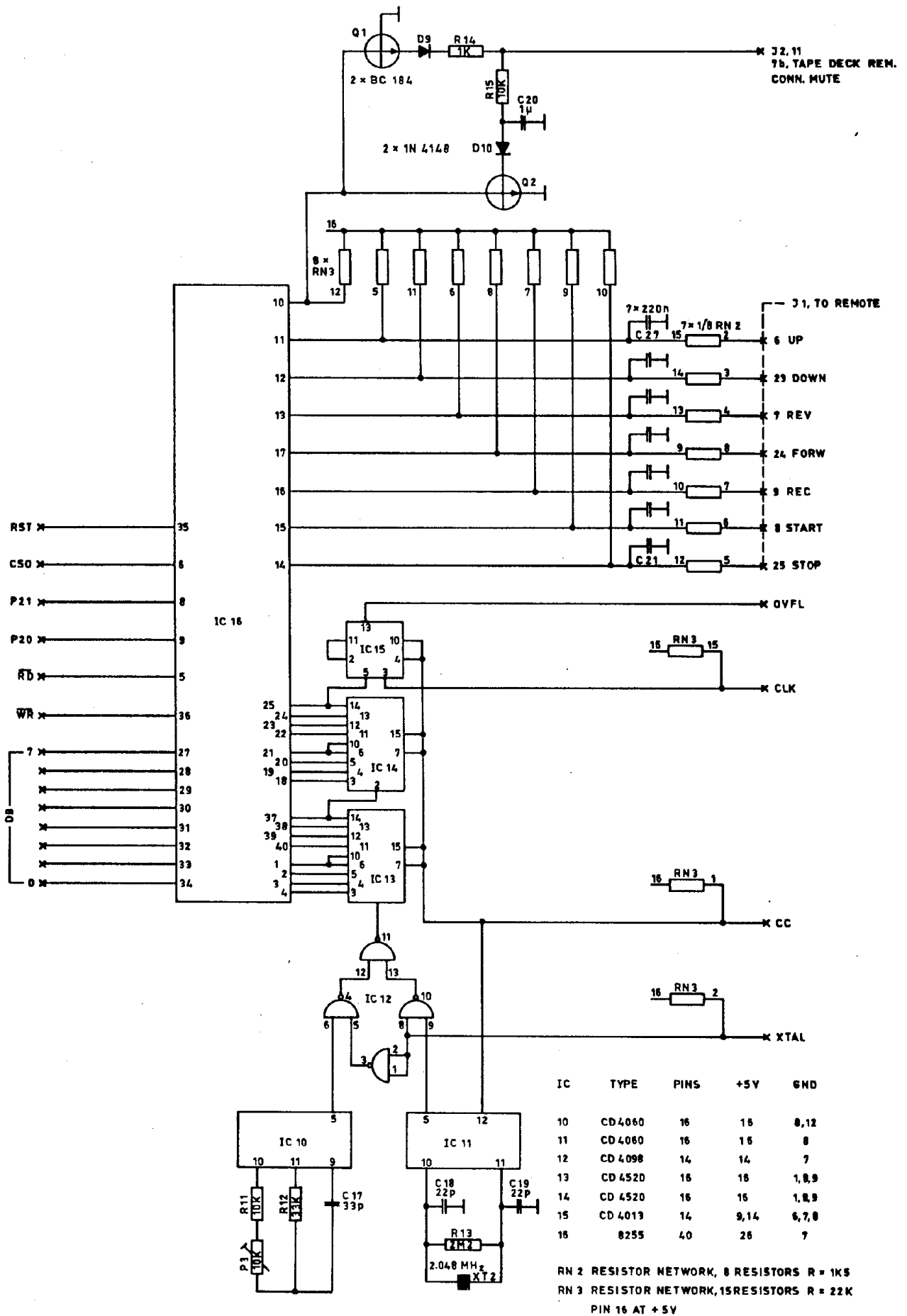


IC	TYPE	PINS	+5V	GND
1	8095	40	26,40	20
2	8251A	28	26	4,17
3	8795	40	2,5,8,10,40	1,4,7,20
4	SN 74 LS 132	14	14	7
5	CD 4001	14	14	7
6	CD 4001	14	14	7
7	SN 74 LS 132	14	14	7
8	SN 74 LS 138	16	6,16	5,9
9	SN 74 LS 138	16	16	4,5,8

RN 1 RESISTOR NETWORK, 8 RESISTORS  
R = 1K5  
PCB 80-040

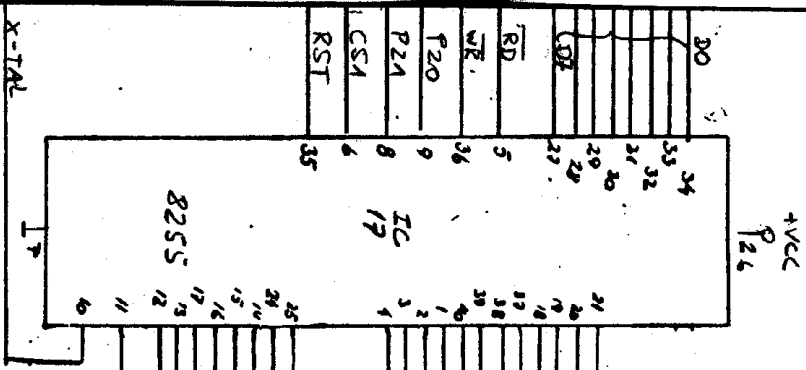
ANV.		Mfkt.		Tagr.		P/N/PB		80,1,21	
 <b>Lyrec</b> OF DENMARK		Kard.		Dato.		Eret.		Mappa	
		Eret.		Mappa		89725/1			
1	81-05	HB	C16 100p → 3n3						
Nr.	Date	Sign.	/Endring						



IC	TYPE	PINS	+5V	GND
10	CD4060	16	16	8,12
11	CD4060	16	16	8
12	CD4098	14	14	7
13	CD4520	16	16	1,8,9
14	CD4520	16	16	1,8,9
15	CD4013	14	9,14	6,7,8
16	8255	40	26	7

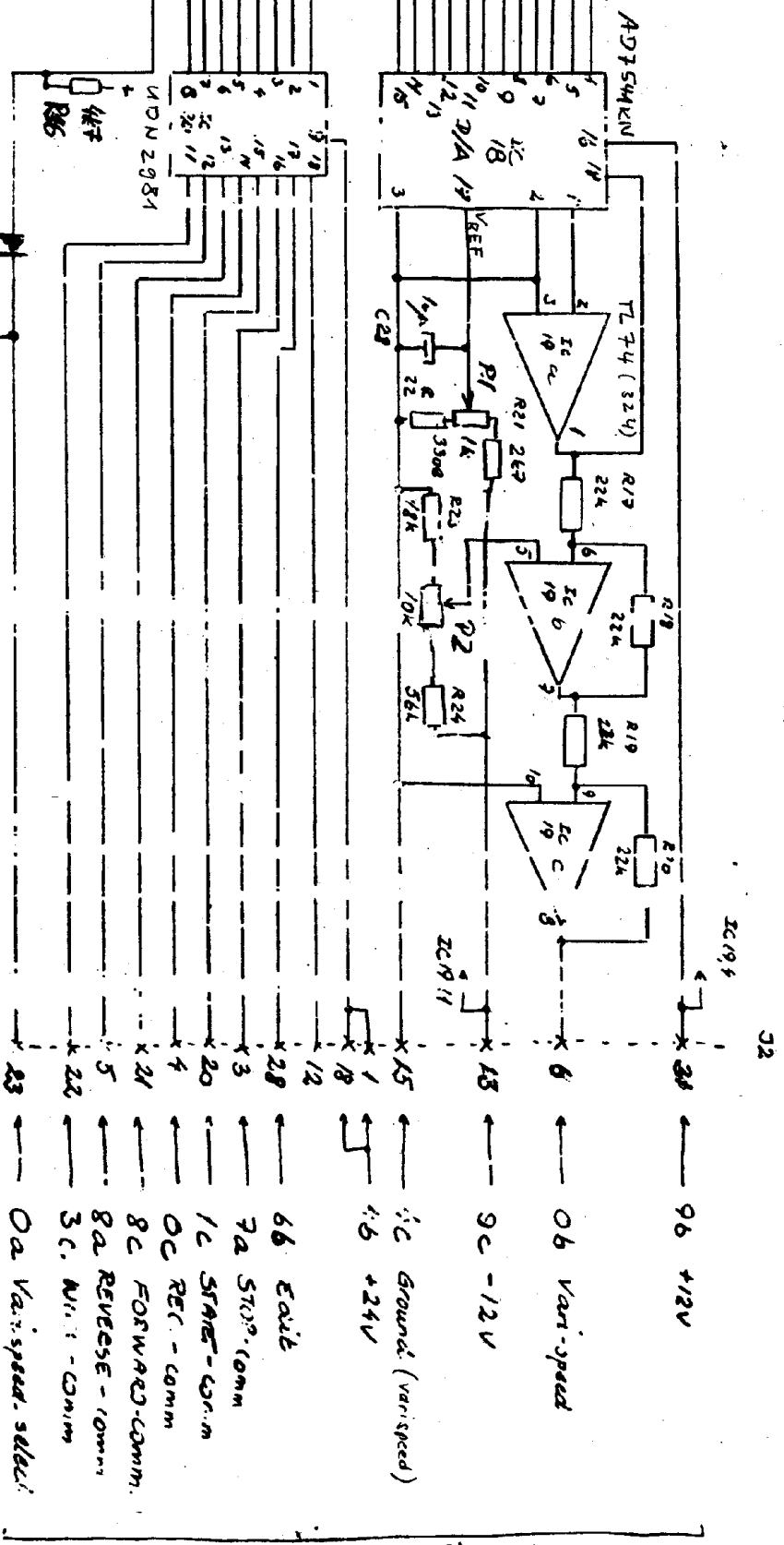
RN 2 RESISTOR NETWORK, 8 RESISTORS R = 1K5  
 RN 3 RESISTOR NETWORK, 15 RESISTORS R = 22K  
 PIN 16 AT +5V

				ANY.				
					M/Met.			
					Tegn. #18/JB 80.11.21			
					Kont.			
				Overt.				
				Erol.				
				Mappe				
				9725/2				
				Erol.				
Nr.	Date	Sign.	Ændring					



PINS	+5V	GND
40	26	27
18	-	-
14	-	-

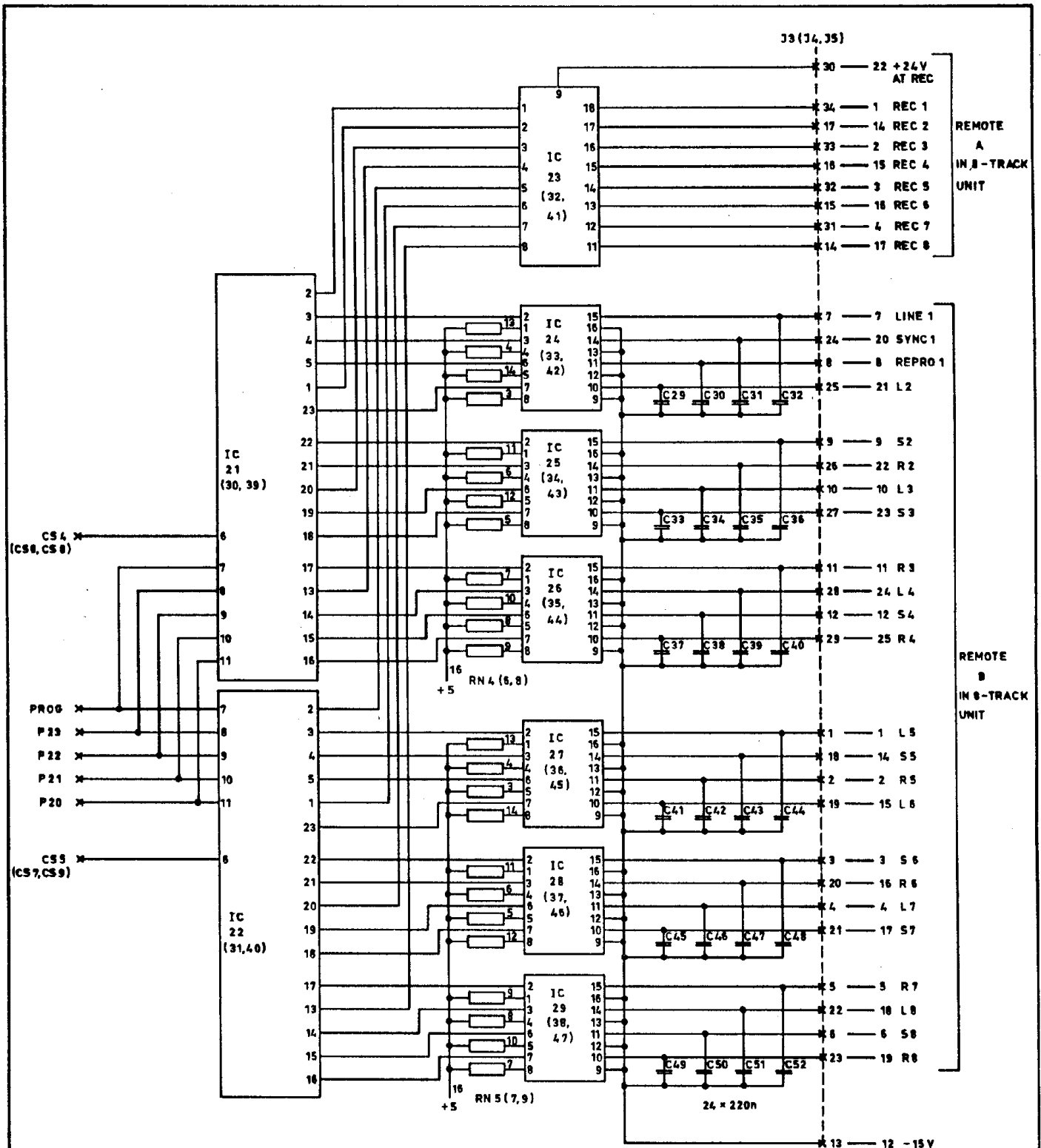
No. 3 of 7



# TRANSPORT CONTROL

from 0.1V  
ext varispeed select

30pin SIEMENS



IC	TYPE	PINS	+ 5V	GND
21 (30, 39)	8243	24	24	12
22 (31, 40)	8243	24	24	12
23 (32, 41)	UDM 2981	18	-	10
24 (33, 42)	2 x MCT 6 *	18	-	-
25 (34, 43)	—	18	-	-
26 (35, 44)	—	18	-	-
27 (36, 45)	—	18	-	-
28 (37, 46)	—	18	-	-
29 (38, 47)	—	18	-	-
29 (38, 47)	—	18	-	-

RN 4 - 9 RESISTOR NETWORKS 15 RESISTORS

PIN 18 AT +5V

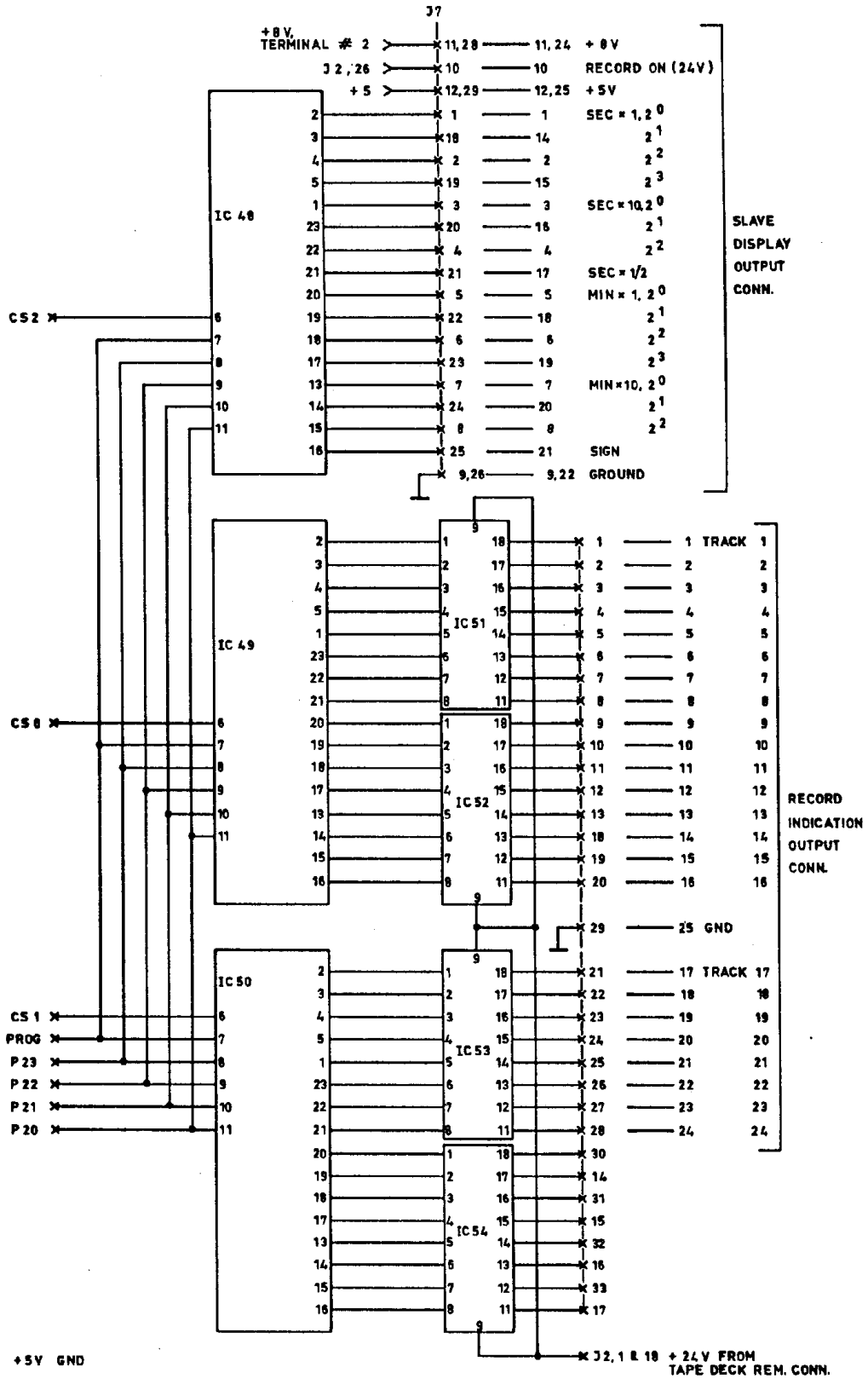
R = 880Ω

24 x 220n

\*) TOP VIEW OF 2 x MCT 6

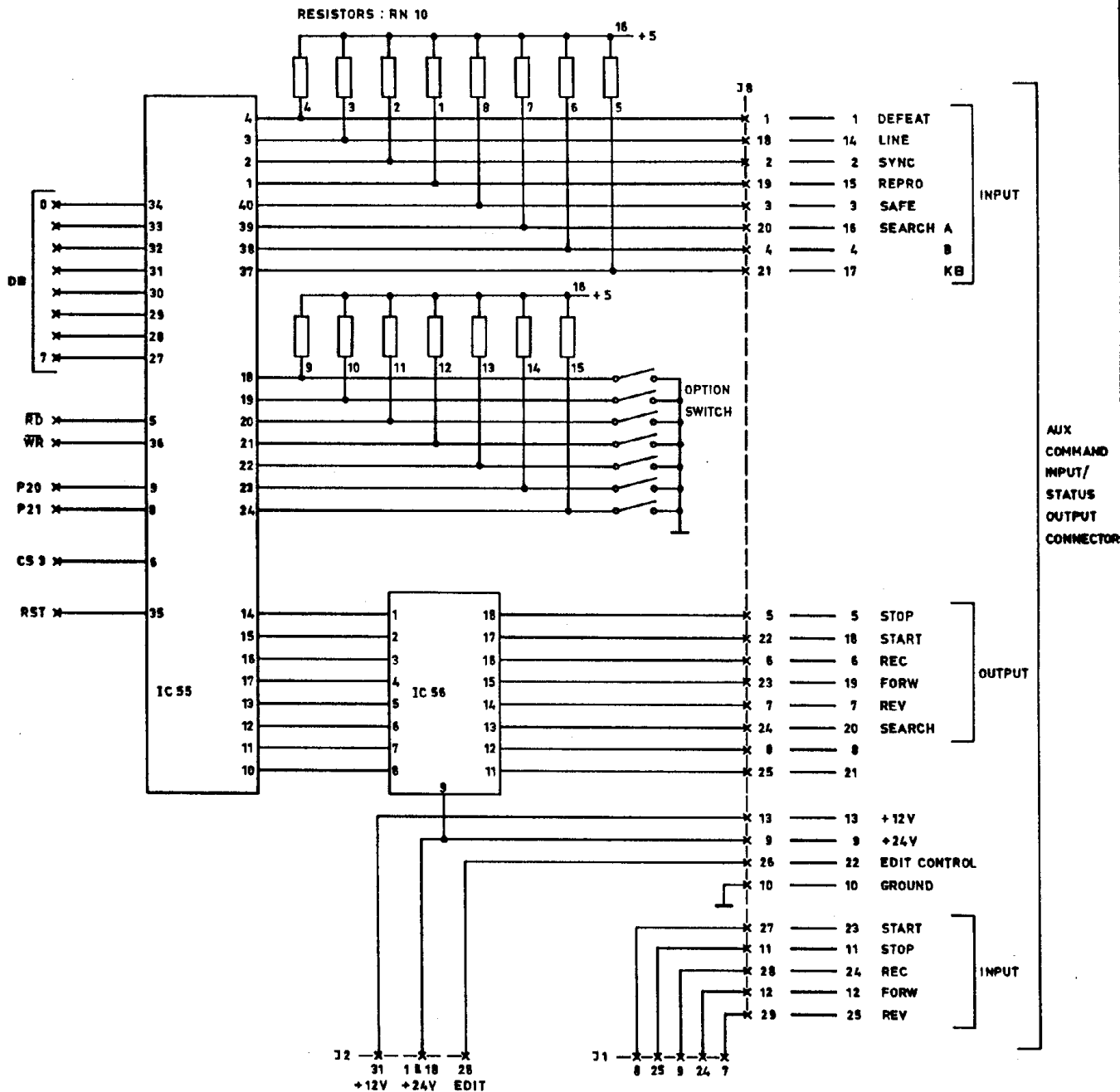


ANV.			M&M.		Tegn.		HB/MB		031121	
			Kont.		Opn.					
			Erol.		Mappo		9725/4			
ATC Local			Erol.							
Sheet 4 of 7			Mappo							
Nr.	Date	Sign.	Ændring							



IC	TYPE	PINS	+5V	GND
48	8243	24	24	12
49	8243	24	24	12
50	8243	24	24	12
51	UDN 2901	18	-	10
52	UDN 2901	18	-	10
53	UDN 2901	18	-	10
54	UDN 2901	18	-	10

			ANY.	
			<b>Lyrec</b> OF DENMARK	
			Månt.	Tegn.
			Korr.	HØJ/S
			Ordt.	00.1.1.21
			ATC Local Sheet 5 of 7	
			9725/5	
Nr.	Dato	Sign.	Ændring	



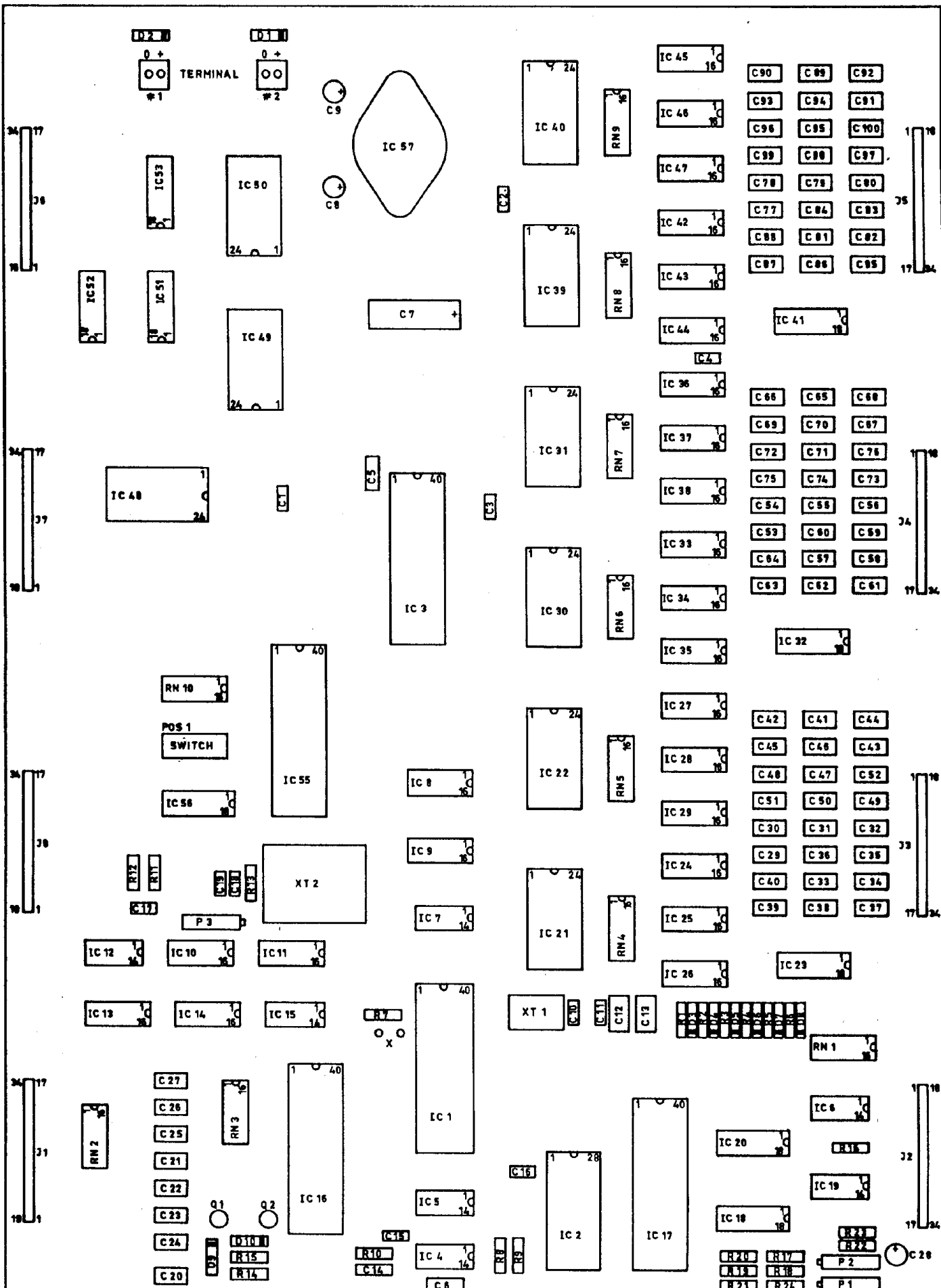
IC	TYPE	PINS	+5V	GND
55	0255	40	26	7
56	UDN 2901	18	-	18

RN 10 RESISTOR NETWORK, 15 RESISTORS  
R = 22K PIN 16 AT +5

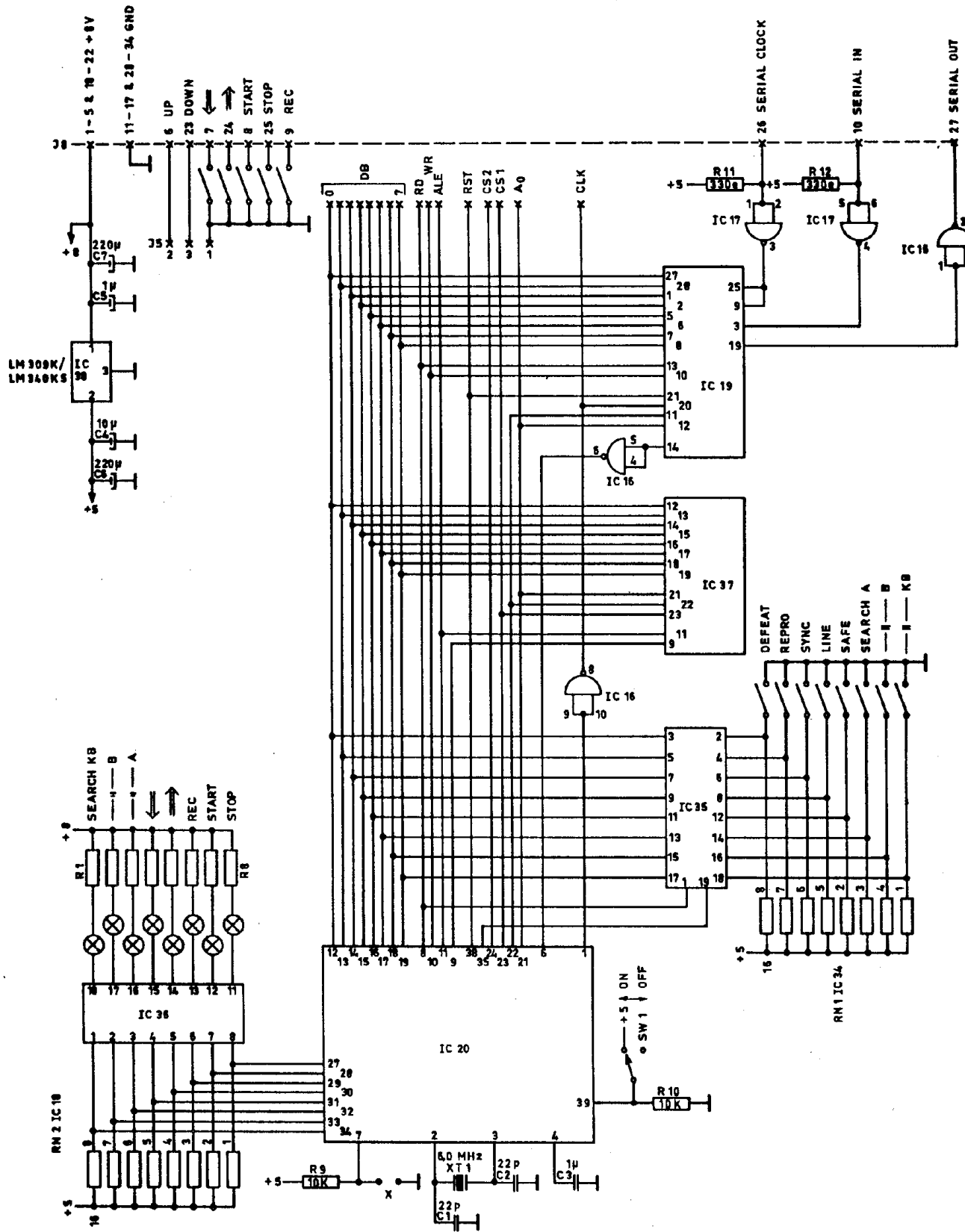
J2 31 1 8 18 28  
+12V +24V EDIT

J1 8 25 9 24 7

				ANY.		
				<b>Lyrec</b> OF DENMARK	Mét.	Tegn. HB/JS 00.11.21
						Kord.
				ATC Local Sheet 6 of 7		Erst. Mappa
						9725/6
Nr.	Dato	Sign.	Ændring			Erst.



				ANY.				M&M.		Tegn.		HD/JS		D01L21	
								Kont.							
								Oppl.							
				ATC Local Component location Sheet 7 of 7						Erv.		9725/7			
Nr. Dato Sign.				Ændring				Erv.		Skjappe					



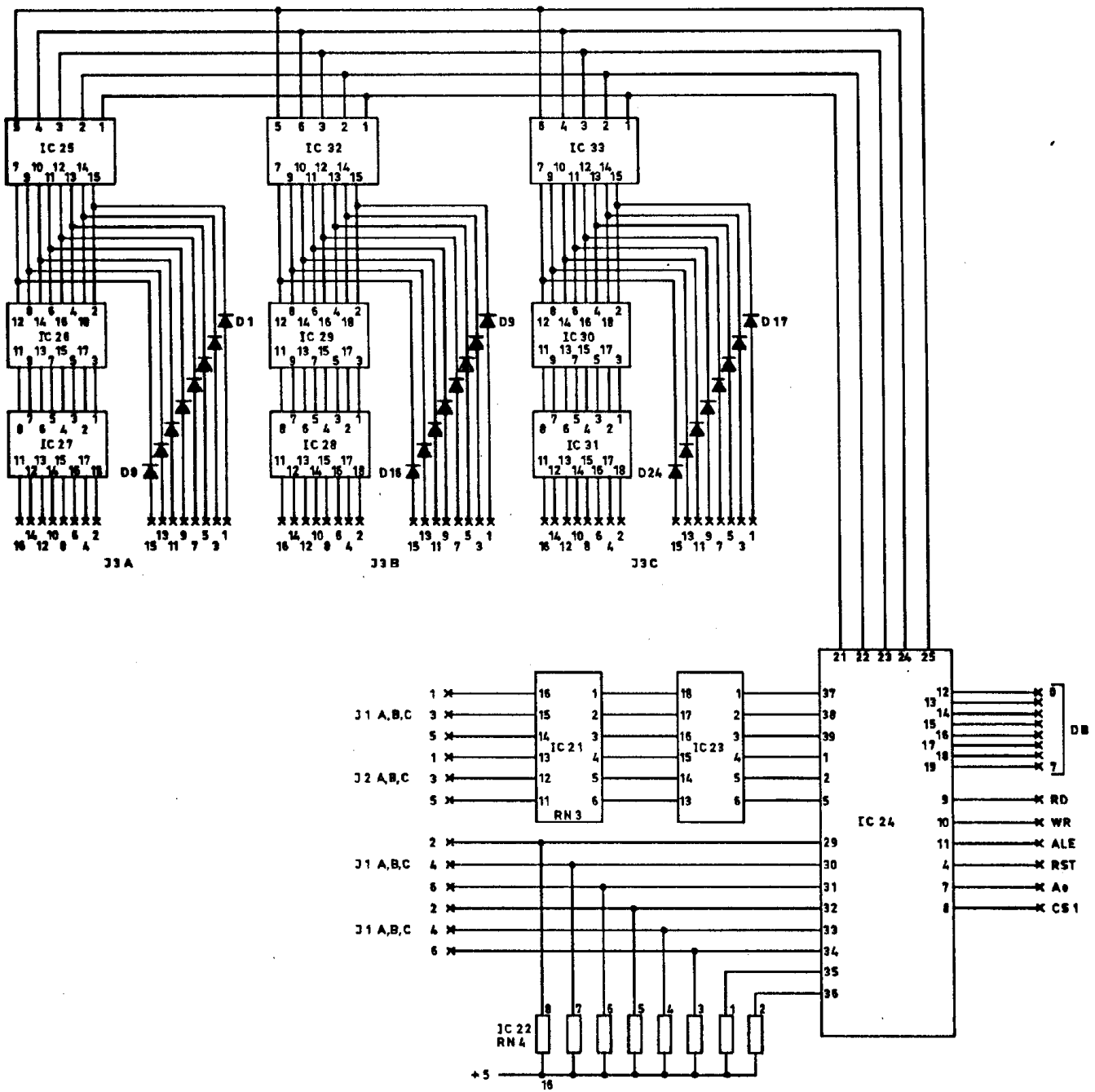
1: RN 1 AND RN 2 = RESISTOR NETWORK.  
15 RESISTORS

RN 1: R = 22K  
RN 2: R = 6K8

IC	TYPE	PINS	+5V	GND
16	74LS132	14	14	7
17	CD4093	14	14	7,8,9,12,13
19	NOTE 1	16	16	-
20	8038	40	20,40	20
34	NOTE 1	16	16	-
35	81LS96	20	20	10
36	UDN2003	18	-	9
37	8755A	40	2,5,8,10,40	1,4,7,20

ANY.			M&M.		Tegn.		H B/JB 00.11.21	
			Konf.		Kont.		Qual.	
			Ervl.		Weppe		9726/1	
ATC Remote Motherboard Sheet 1 of 4			Ervl.		Weppe		9726/1	
Nr.	Dato	Sign.	Ændring		Ervl.			





IC	TYPE	PINS	+8V	+5V	GND
21	NOTE 1	16			
22	NOTE 1	16		16	
23	UDN 2901	18	9		10
24	9155	40		40	20
25	74 LS 138	18		6,18	8
26	81 LS 96	20		20	1, 10, 19
27	ULN 2803	18			9
28	ULN 2803	18			9
29	81 LS 96	20		20	1, 10, 19
30	81 LS 96	20		20	1, 10, 19
31	ULN 2803	18			9
32	74 LS 138	16		16	4, 8
33	74 LS 138	16		16	5, 8

NOTE 1: RESISTOR NETWORKS:

RN 3: 8 RESISTORS, R = 33e

RN 4: 15 RESISTORS, R = 22K

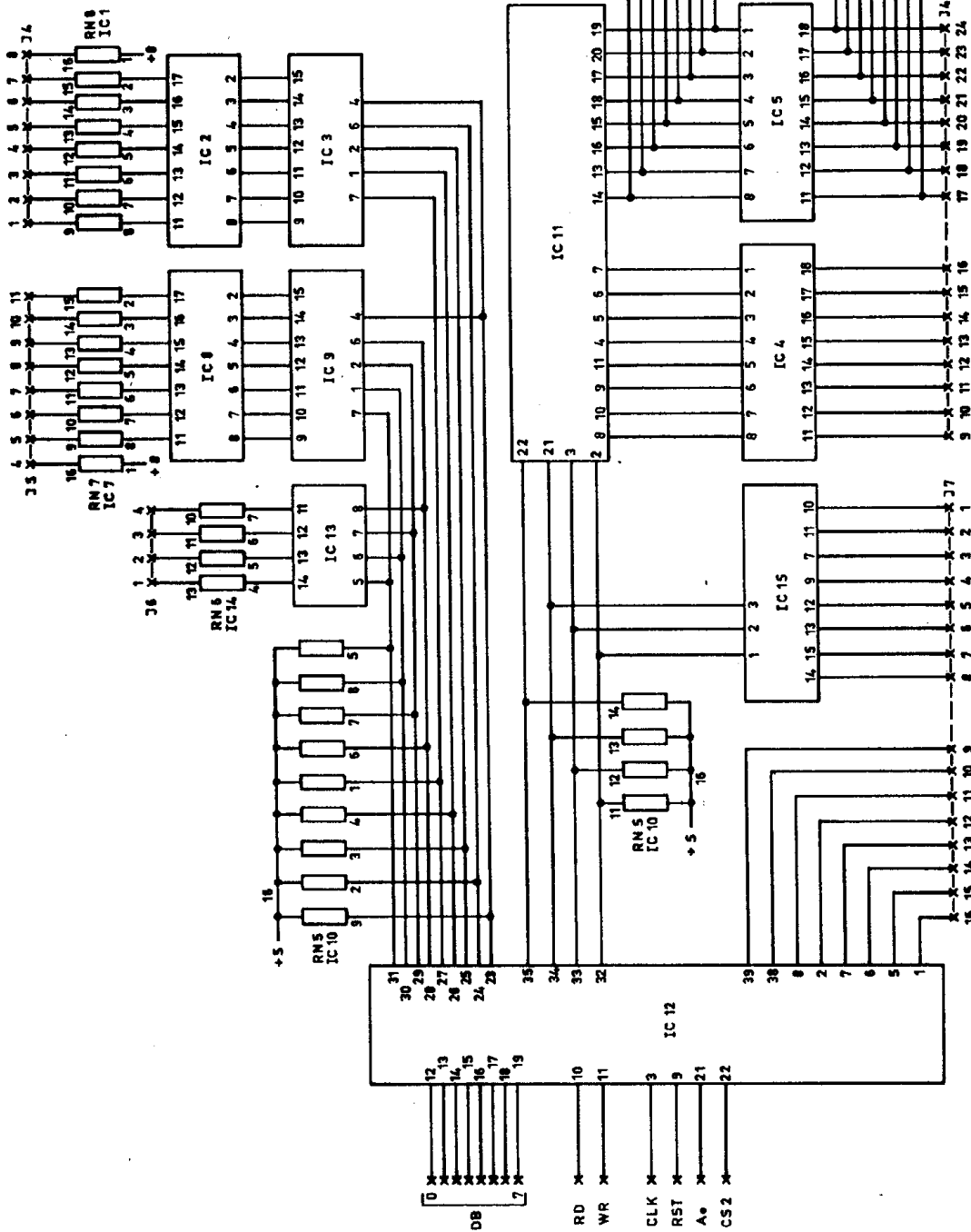
DIODES: 1N 4148

			ANY.		
			<b>Lyrec</b> OF DENMARK	Mödet.	Tegn.
				Korr.	HB/Ø
			ATC Remote Motherboard		Erst.
			Sheet 2 of 4		Mappe
					9726/2
Nr.	Dato	Sign.	Ændring		Erst.

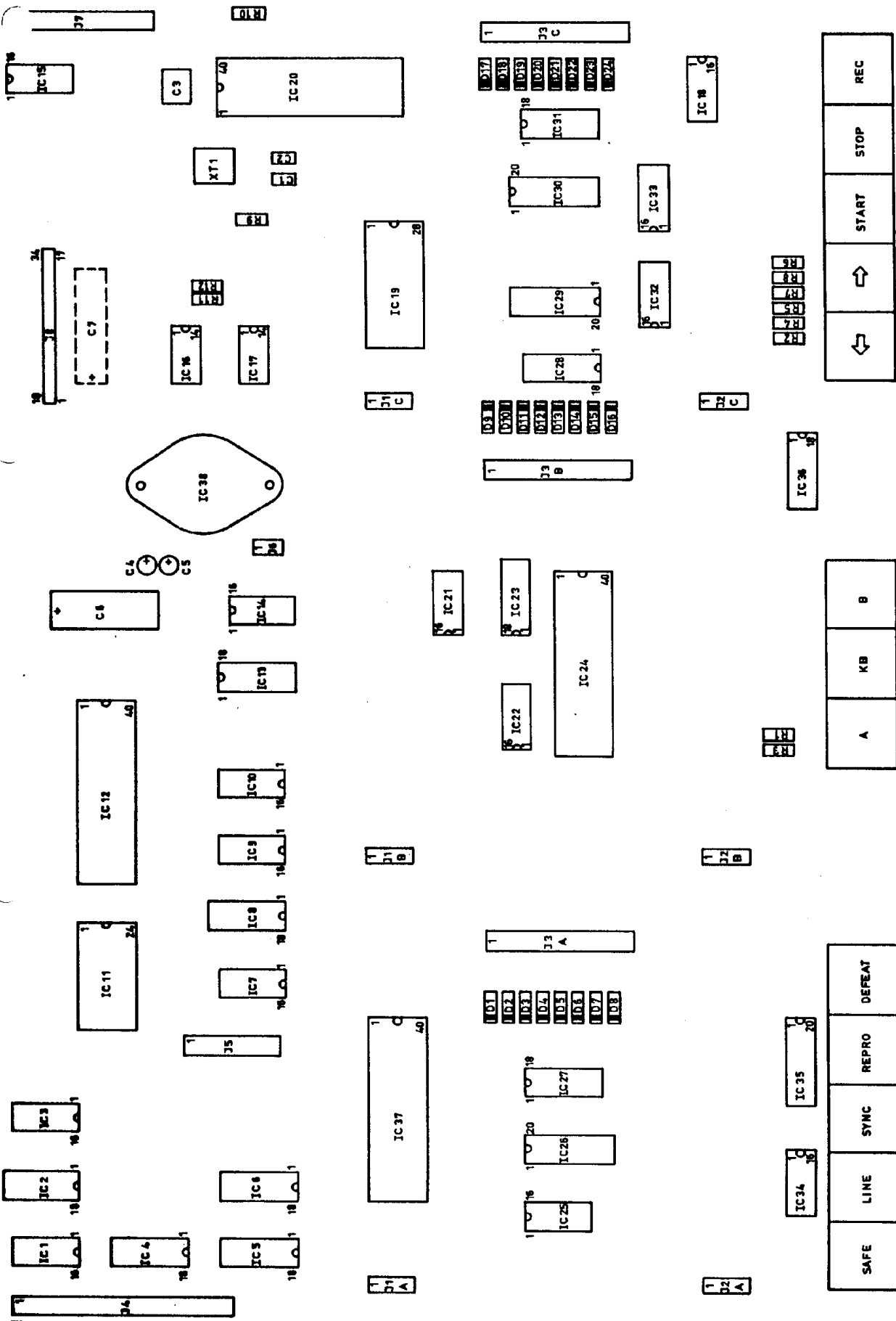
IC	TYPE	PINS	+6V	+5V	GND
1	NOTE 1	16			
2	UDN 2981	18	9		10
3	CD 4511	16	3, 16		5, 8
4	ULN 2803	18			9
5	ULN 2803	18			9
6	ULN 2803	18			9
7	NOTE 1	16			10
8	UDN 2981	18	9		10
9	CD 4511	16	3, 16		5, 8
10	NOTE 1	16			16
11	CD 4514	24	1, 24		12, 23
12	8279	40	40		20, 36, 37
13	UDN 2981	18	9		10
14	NOTE 1	16			
15	74LS138	16	6, 16		4, 5, 8

NOTE 1: RESISTOR NETWORKS:

RN 5 15 RESISTORS R = 22K  
 RN 6-8 8 RESISTORS R = 33k



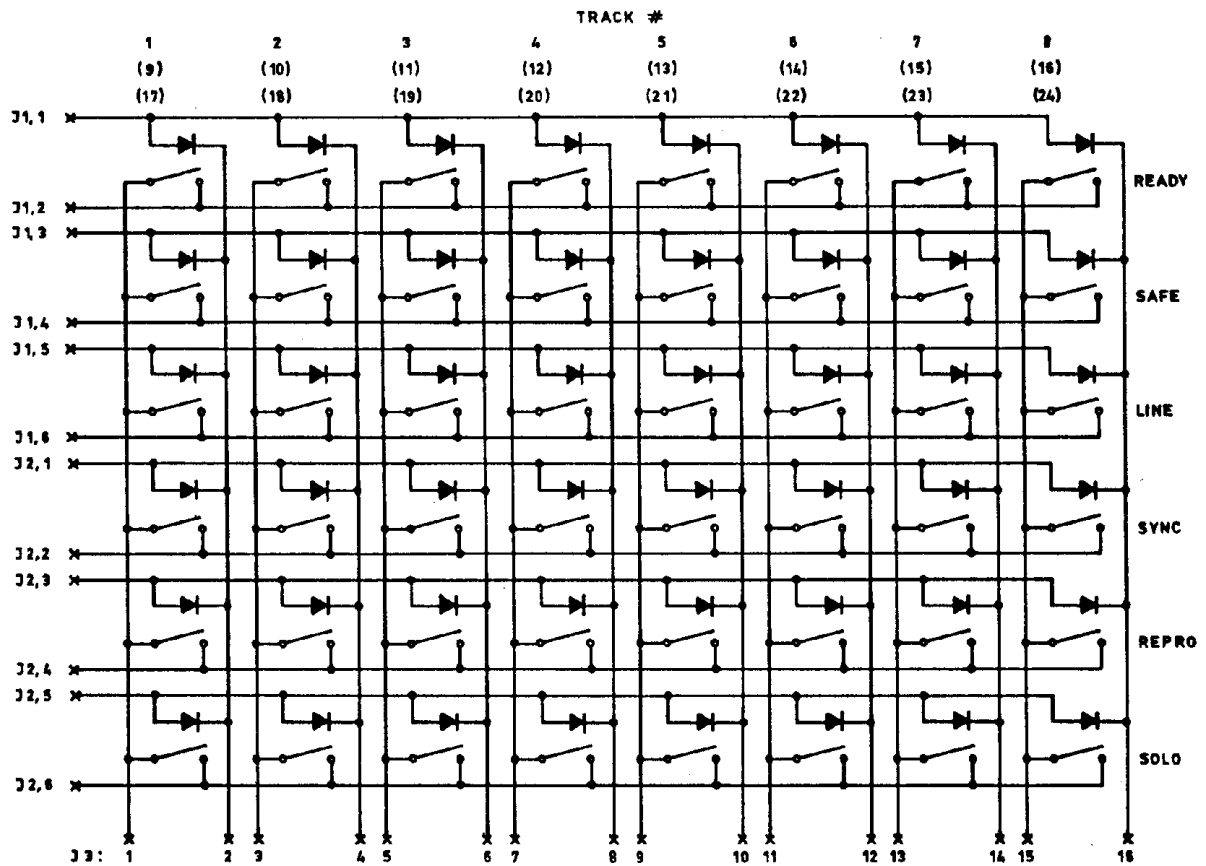
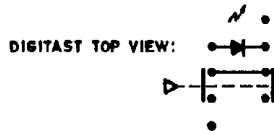
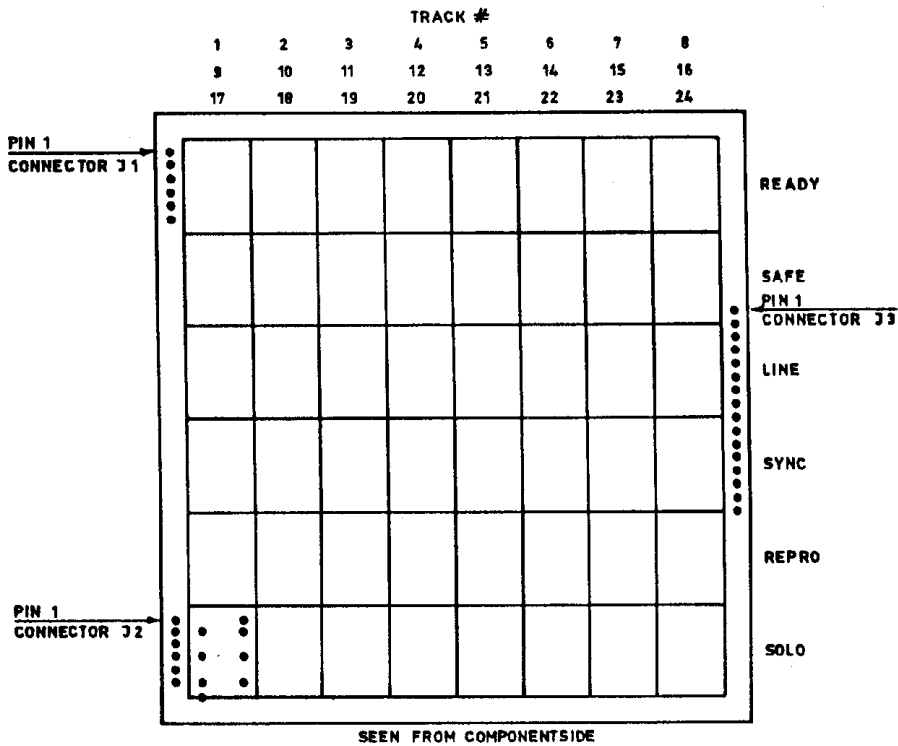
ANY.	Part No.	9726/3	
	Rev.	1	
	Issue	1	
ATC Remote Motherboard Sheet 3 of 4			
No.	Date	Ship.	Finish



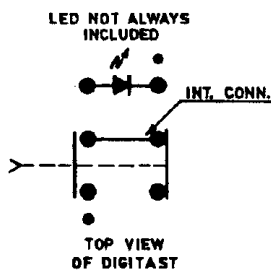
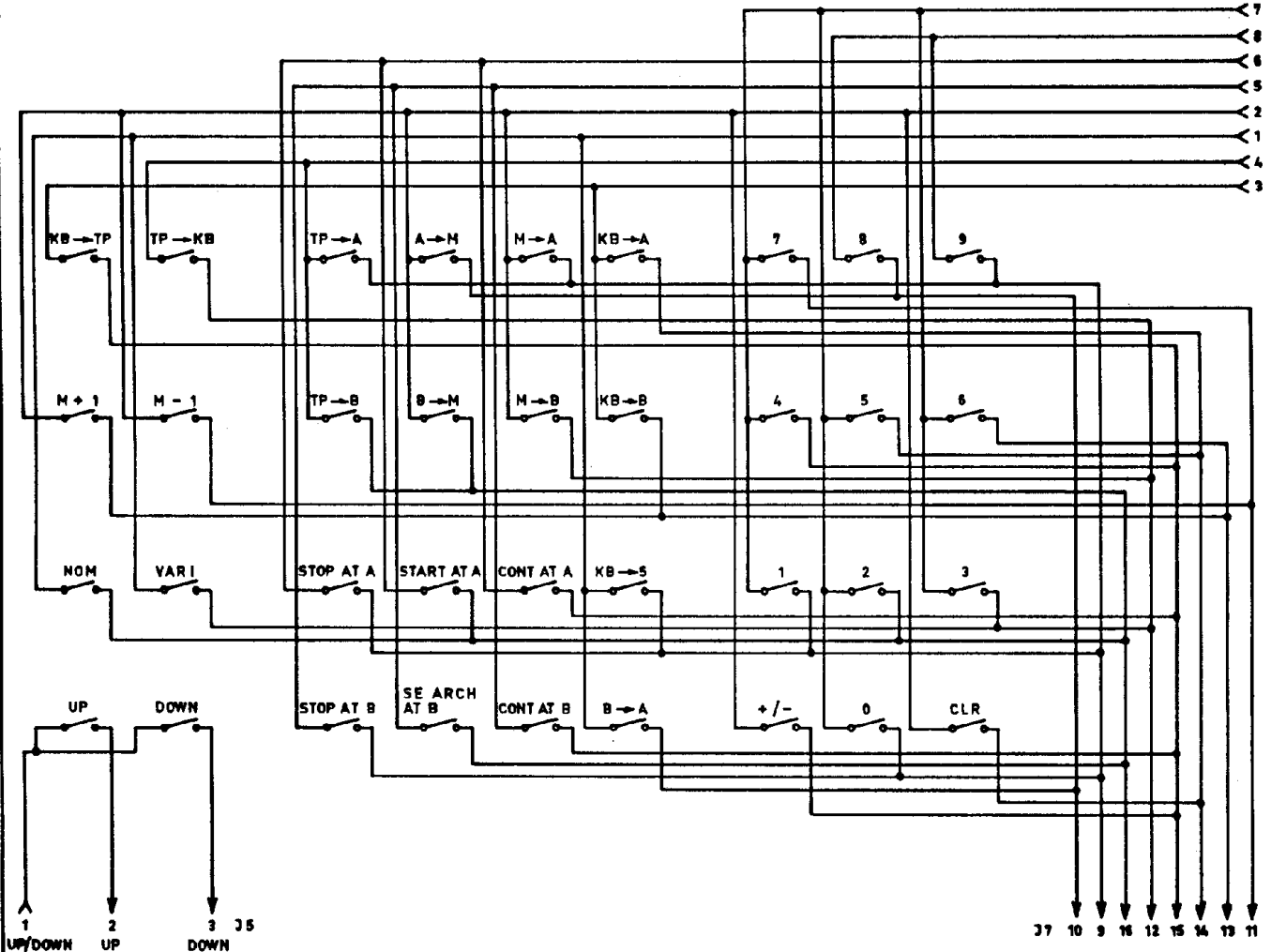
SAFE	LINE	SYNC	REPRO	DEFPEAT	A	KB	B	REC
					←	→	START	STOP

REV.	REV.			DATE	BY	APP.	C. NO.	C. DATE	C. BY
	DATE	BY	APP.						

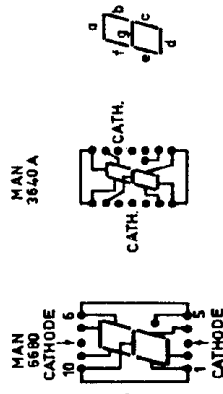
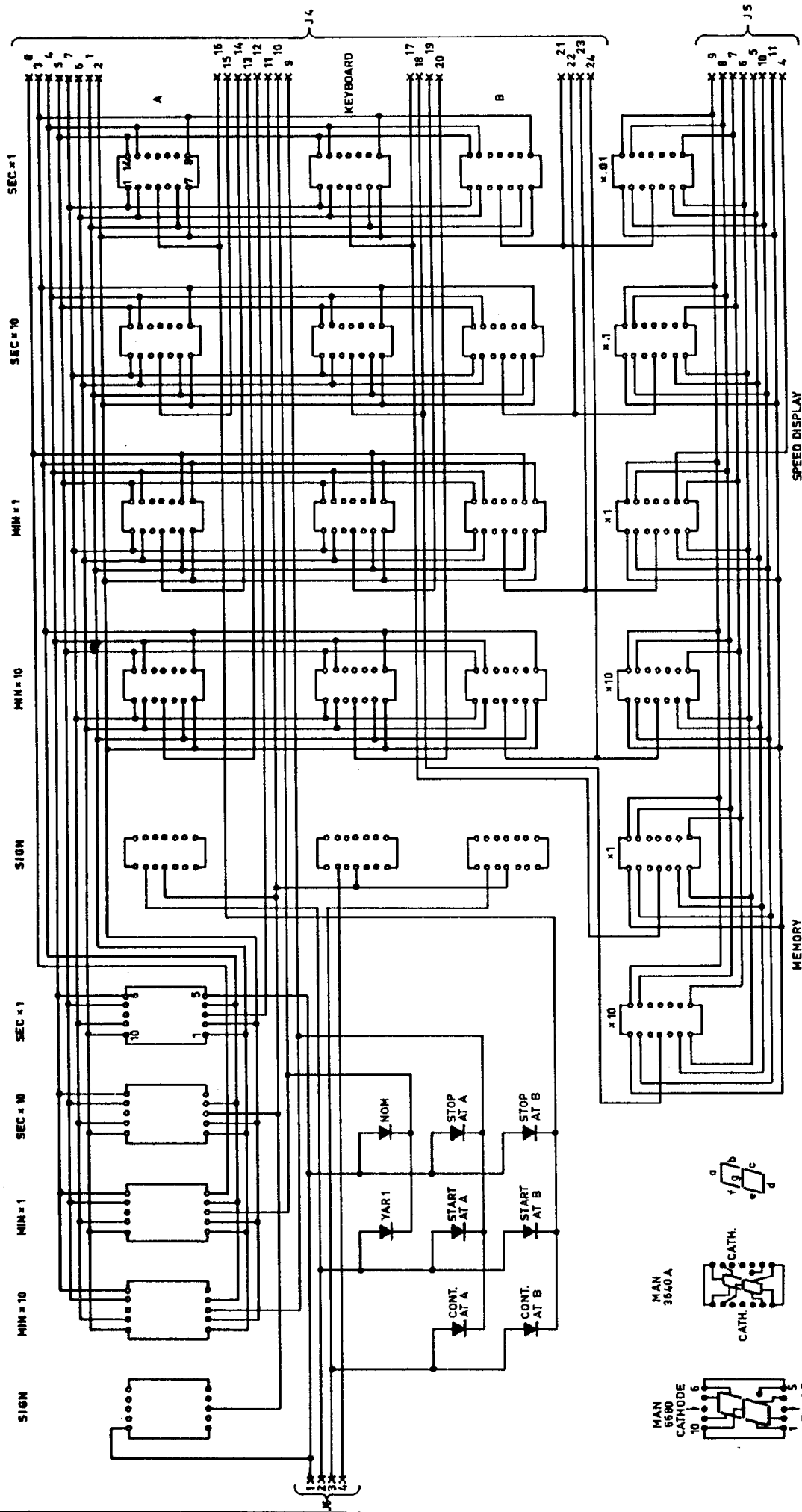

**Lyrec**  
 OF DENMARK  
 ATC Remote Motherboard Component location  
 Sheet 4 of 4  
 9726/4



	AMV.			
		M&M.	Tegn. HB/JS	D.O. 1.21
		Kont.		
		Og.		
		Eret. Møppe	9727	
		Eret.		
Nr.	Date	Sign.	Ænding	



				ANV.					
						Mödet.	Tegn.	HM/JB	82.512.1
						Kont.			
				ATC Remote Keyboard / Display Sheet 1 of 3		Erel.	9728/1		
						Mappa			
Nr.	Dato	Sign.	Ændring		Erets.				



ANY		HB/BB B01121	
Model	Temp.	Rev.	Date
		9728/2	
ATC Remote Keyboard/Display		Inst.	Sheet
Sheet 2 of 3			
No.	Date	Sign.	Rev.

