

Diagram over

TOR VENUS H3 AM 220 V \approx

TOR

UCC85

UCH81

UF80/85

UABC80

UL41

UM4

UABC80

Ferritperler

UCC85

UCH81

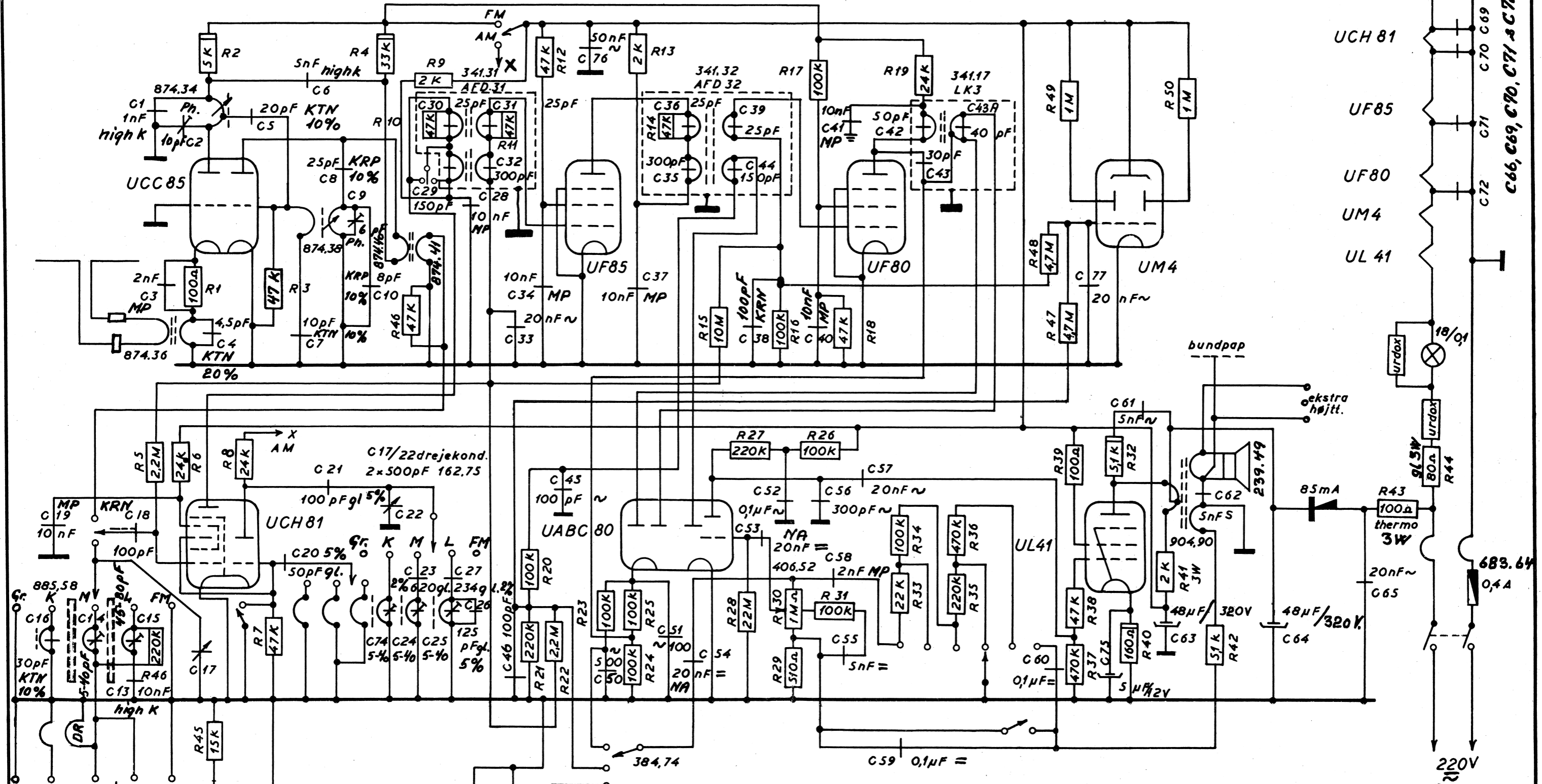
UF85

UF80

UM4

UL41

C66, C69, C70, C71, C72 = 2nF MP



MP: Met. Paper
 = : 220 Volt DC (NA)
 ~ : 220 Volt AC
 S : 5K Volt DC (0A)

Gramf. MF for AM: 447 kHz
 FM: 10,4 MHz

TOR VENUS H3

AM/FM
 220 V ~

