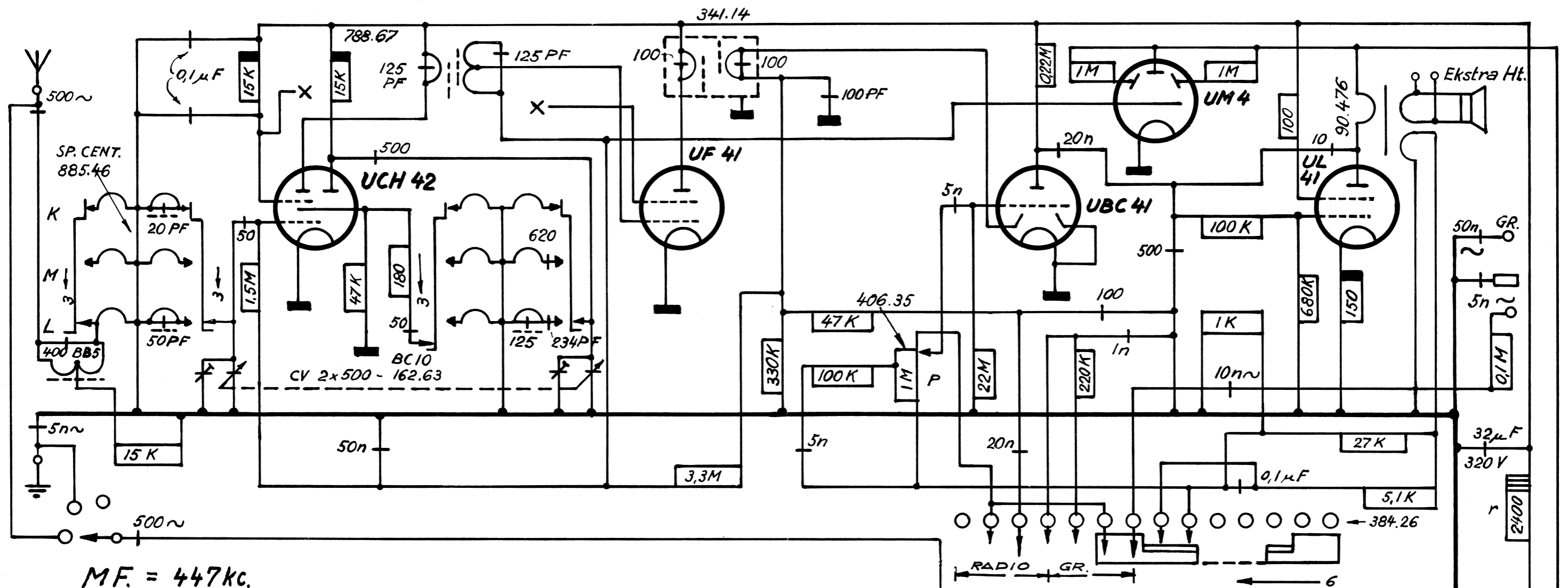


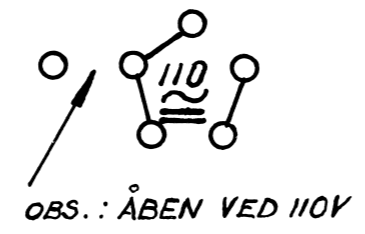
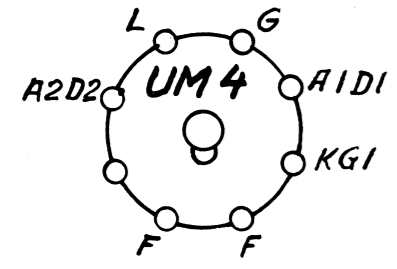
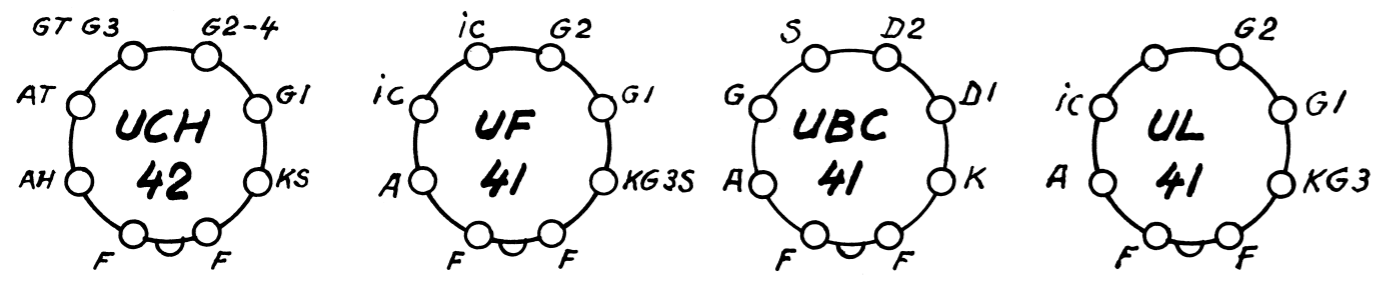
Diagram over

TOR MERKUR E2U ¹¹⁰/_{220V ~}

TOR



MF. = 447kc.



r = rørmodstand

TOR MERKUR E2U 110 / 220V ~